



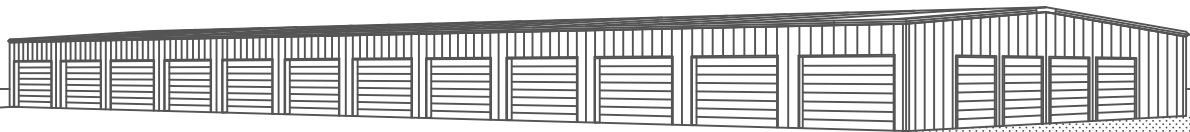
3861 OLD GETWELL RD.

MEMPHIS, TN. 38118

(901) 365-6900

www.spircomfg.com

TM

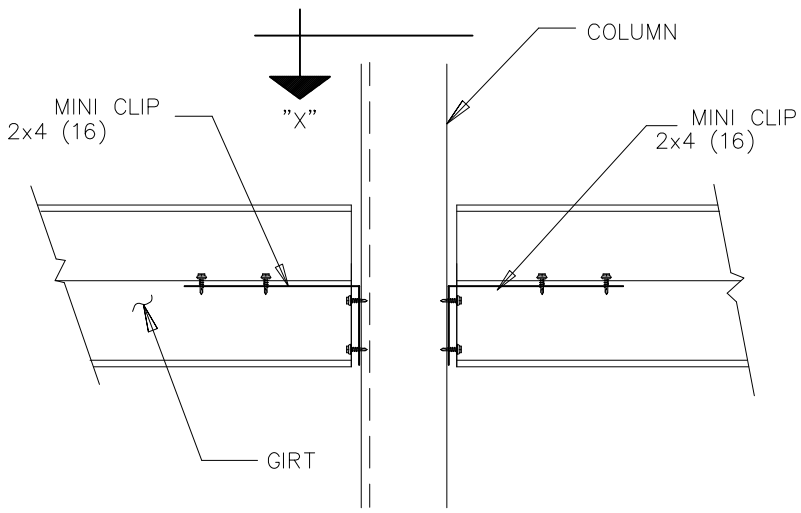


MINI STORAGE BUILDING
ERECTION STANDARDS

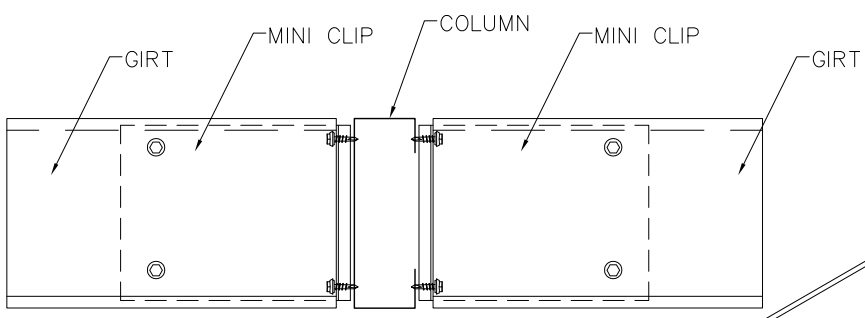
TABLE OF CONTENTS

(ISSUE DATE 1/21/2004)

- 1.) EXTERIOR WALL GIRT ASSEMBLY
- 2.) BASE ASSEMBLY AT EXTERIOR WALL
- 3.) EXTERIOR WALL PANEL ASSEMBLY BETWEEN FRAMED OPENINGS
- 4.) EXTERIOR WALL PANEL ASSEMBLY AT FRAMED OPENINGS
- 5.) DOOR HEADER ASSEMBLY
- 6.) MULLION ASSEMBLY
- 7.) SIDEWALL FRAMING AT JAMBS
- 8.) EXTERIOR CORNER ASSEMBLY
- 9.) CORNER ASSEMBLY AT JAMBS
- 10.) FRAMING AT STEPS
- 11.) SHEETING AND TRIMMING AT STEPS
- 12.) SUPPORT CEE ASSEMBLY
- 13.) SIDEWALL FRAMING AT GUTTER
- 14.) ENDWALL FRAMING AT RAKE
- 15.) HIGH SIDE FRAMING, SHEETING, AND TRIM OF SINGLE SLOPE MINI
- 16.) INTERIOR PARTITION WALL ASSEMBLY RUNNING THE LENGTH OF THE MINI
- 17.) INTERIOR PARTITION WALL ASSEMBLY RUNNING THE WIDTH OF THE MINI
- 18.) A. INTERIOR PARTITION WALLS INTERSECTING
B. KNEE BRACE ASSEMBLY
- 19.) ROOF / WALL FASTENER SPACING
- 20.) FASTENER SPACING
- 21.) ROOF PANELS AT THE RIDGE AND LAPS
- 22.) ROOF STRAPPING INSTALLATION
- 23.) LONGITUDINAL ROOF AND WALL X-STRAPPING
- 24.) PITCH MAKER / SPECIAL EAVE ANGLE INSTALLATION
- 25.) PITCH PLATE INSTALLATION

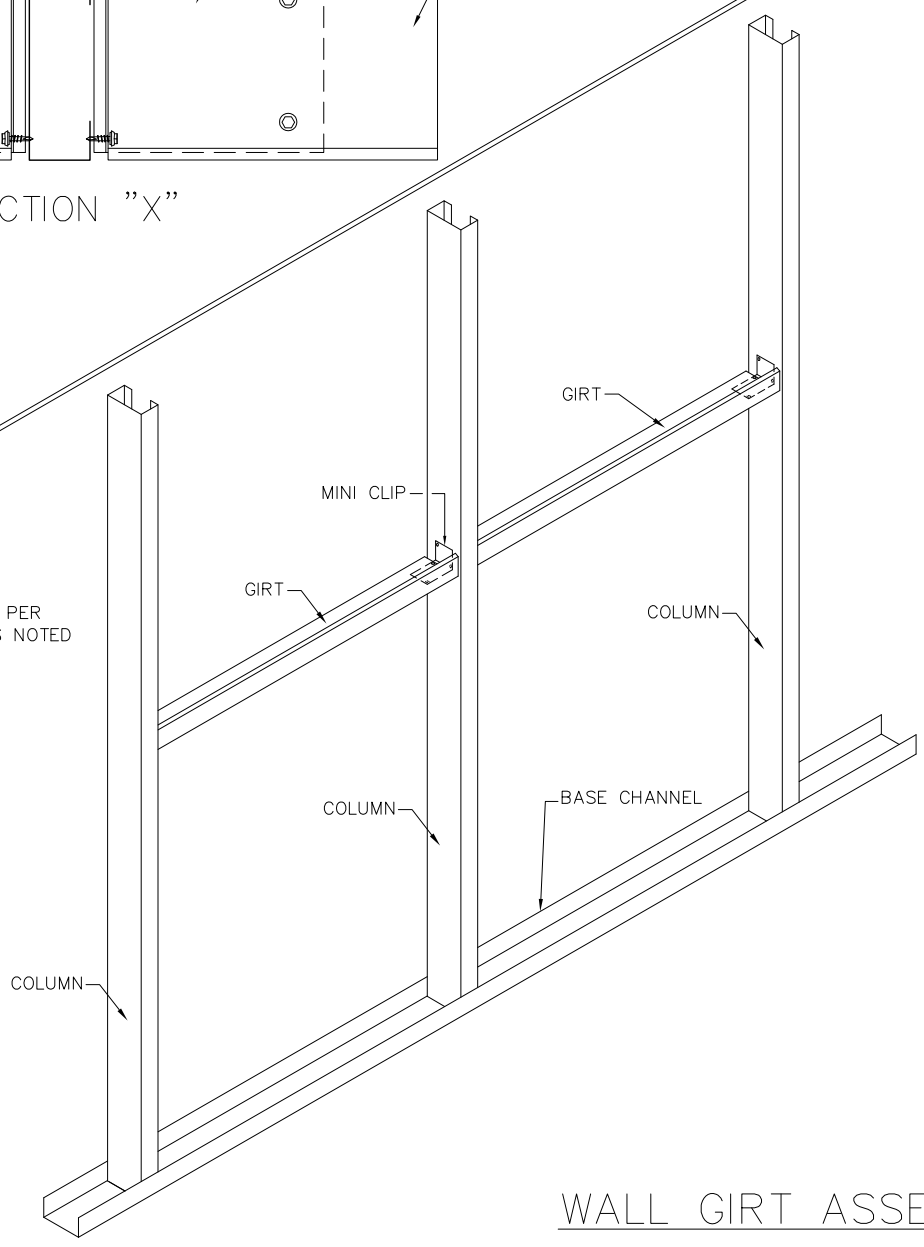


NOTE : USE (1) #12 x 3/4" SELF DRILLER IN EACH LOCATION OF MINI CLIP AS SHOWN. SPACE THE FASTENERS AS FAR APART AS POSSIBLE.



SECTION "X"

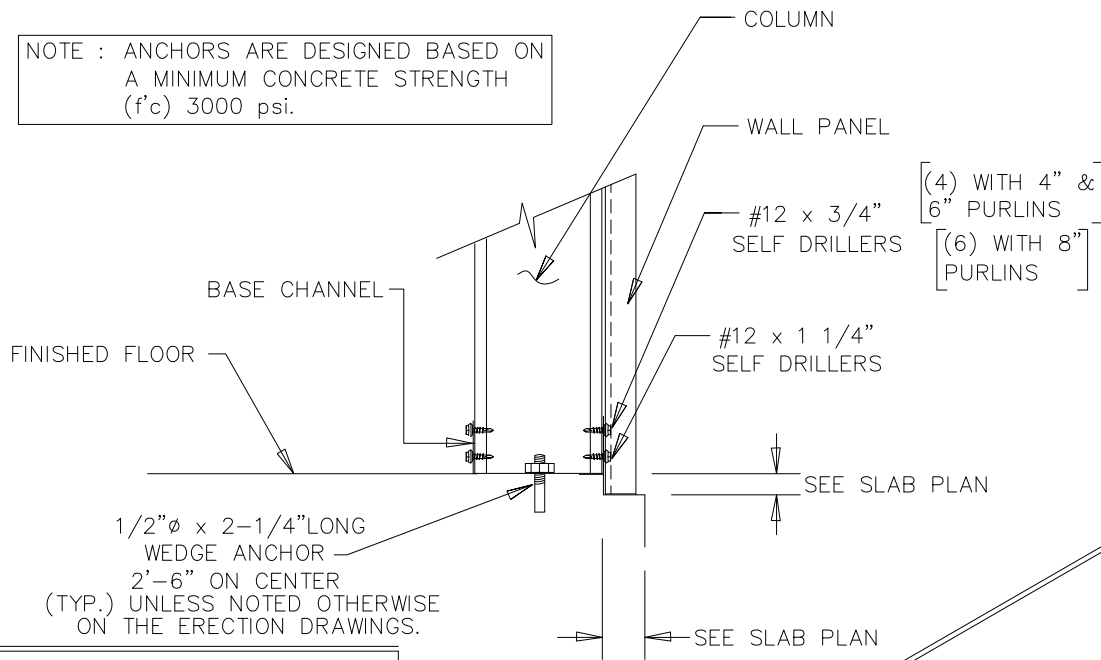
NOTE : (4) SCREWS PER CLIP UNLESS NOTED OTHERWISE.



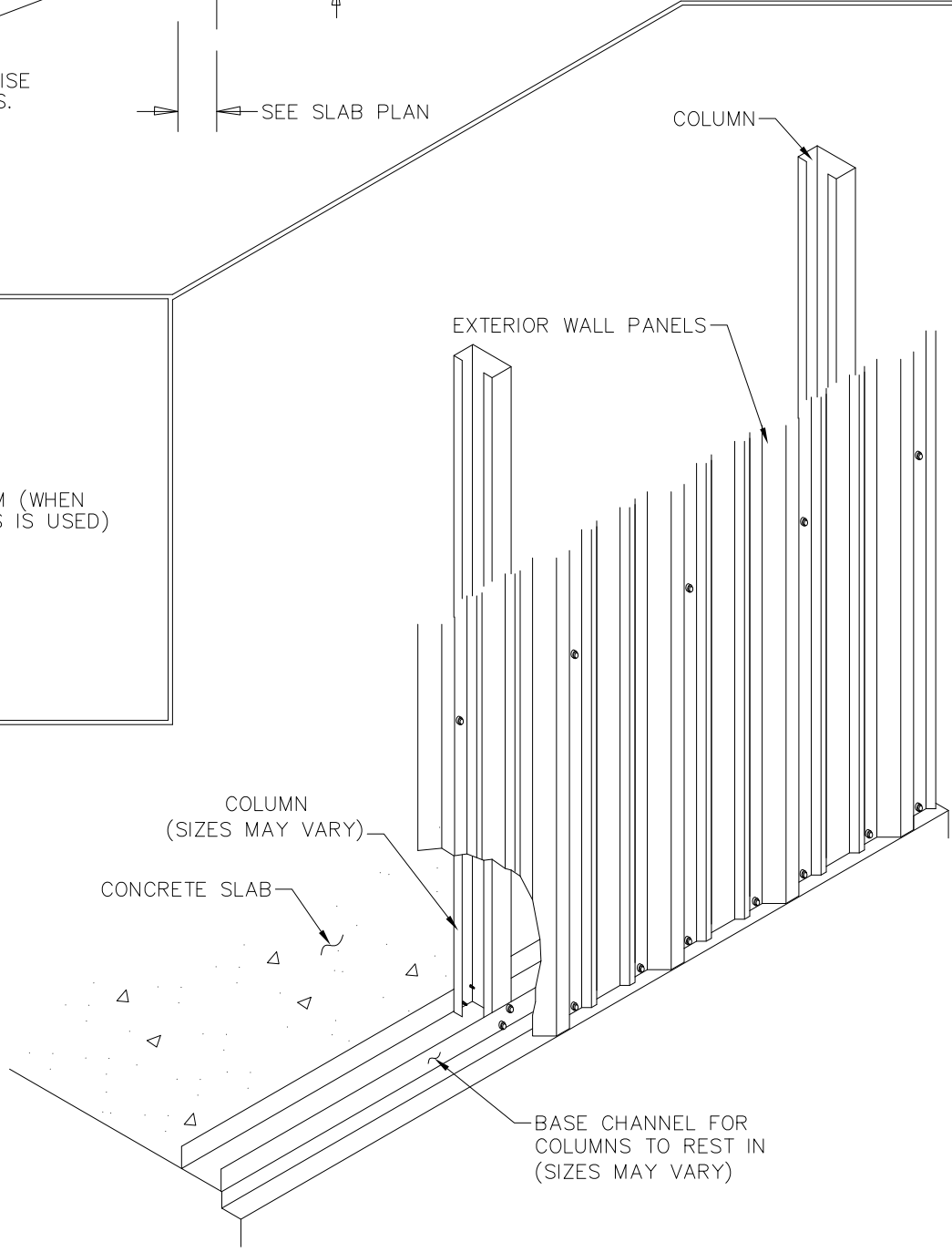
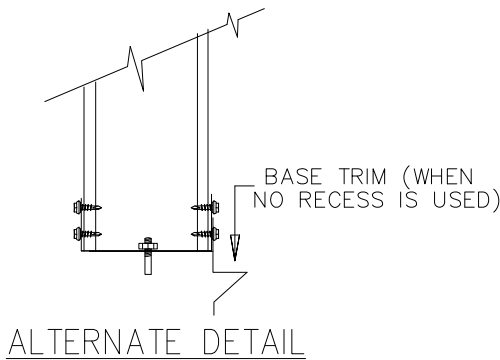
WALL GIRT ASSEMBLY

NOTE : ANCHORS ARE DESIGNED BASED ON A MINIMUM CONCRETE STRENGTH (f'c) 3000 psi.

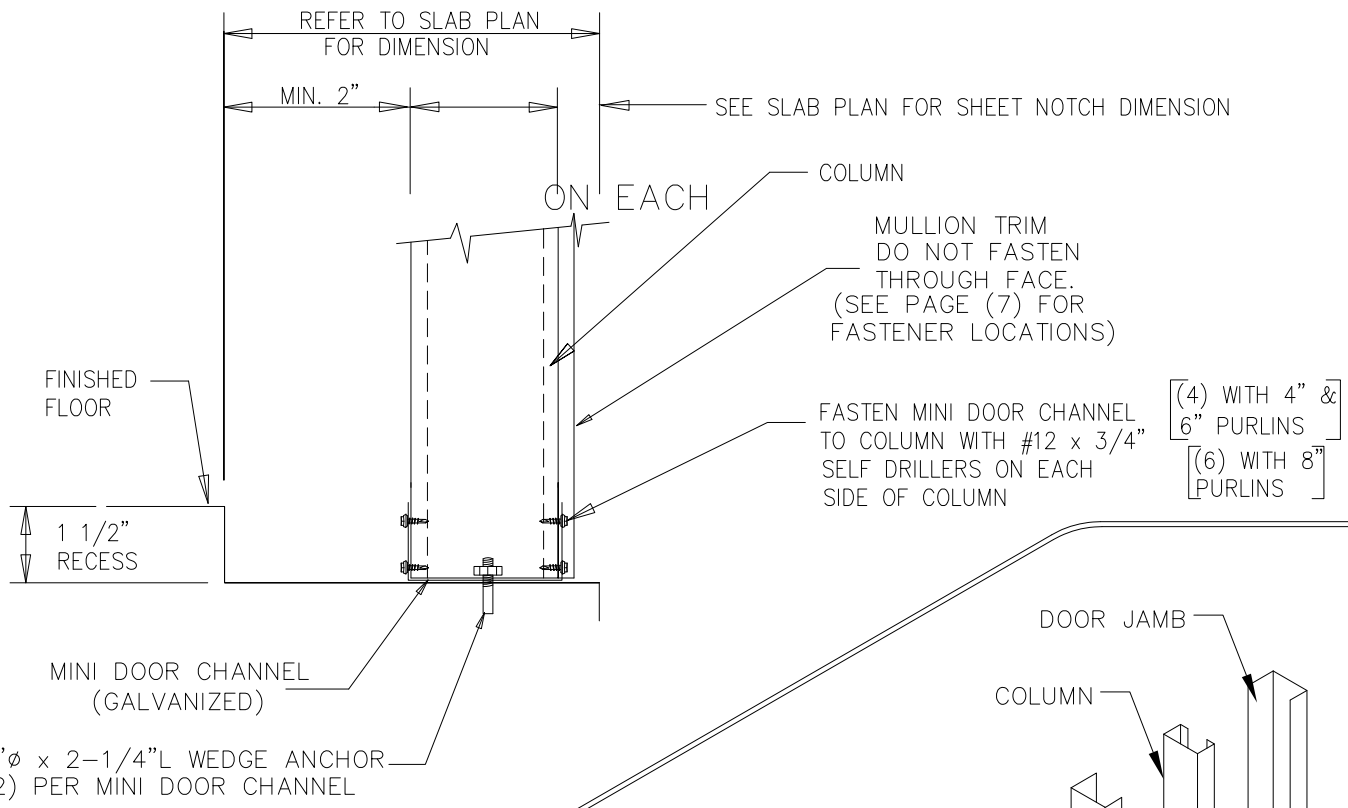
FASTEN BASE CHANNEL TO COLUMN WITH (2) #12 x 3/4" SELF DRILLERS ON EACH SIDE OF COLUMN. (3) ON EACH SIDE WHEN A 8" PURLINS IS SETTING ON THE COLUMN.



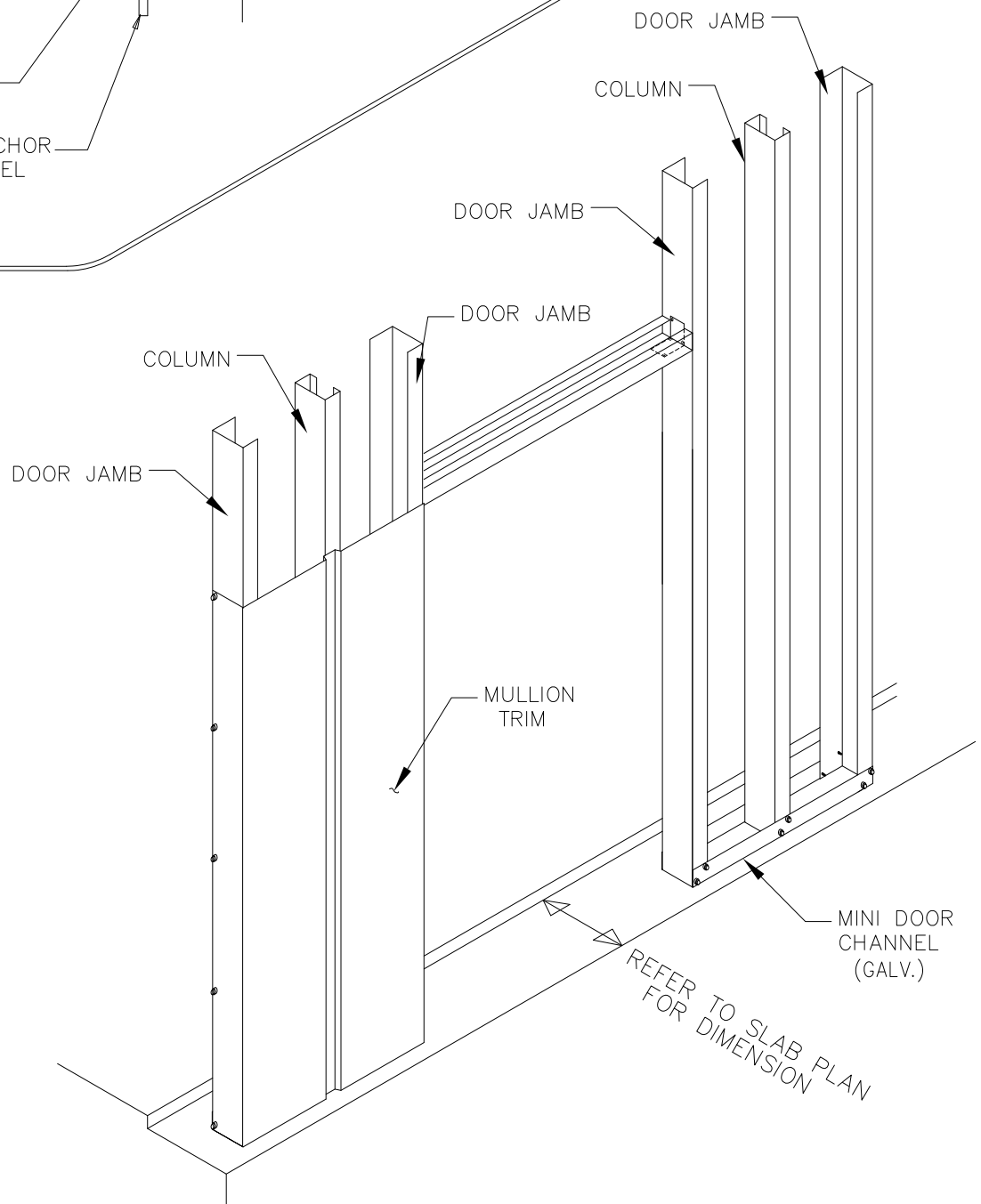
USE (2) #12 x 1 1/4" SELF DRILLERS PER FOOT @ THE BASE & EAVE FOR EXTERIOR WALL PANEL ATTACHMENT & (1) PER FOOT @ THE GIRTS



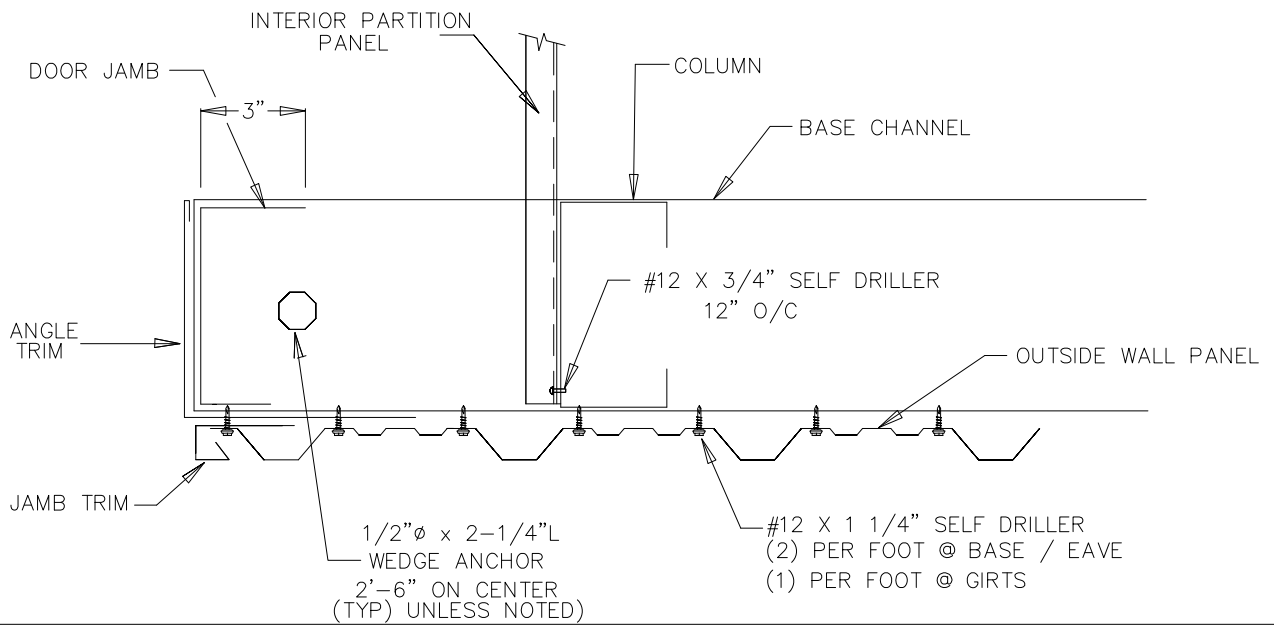
WALL BASE WITH PANELS (OUTSIDE WALLS ONLY)



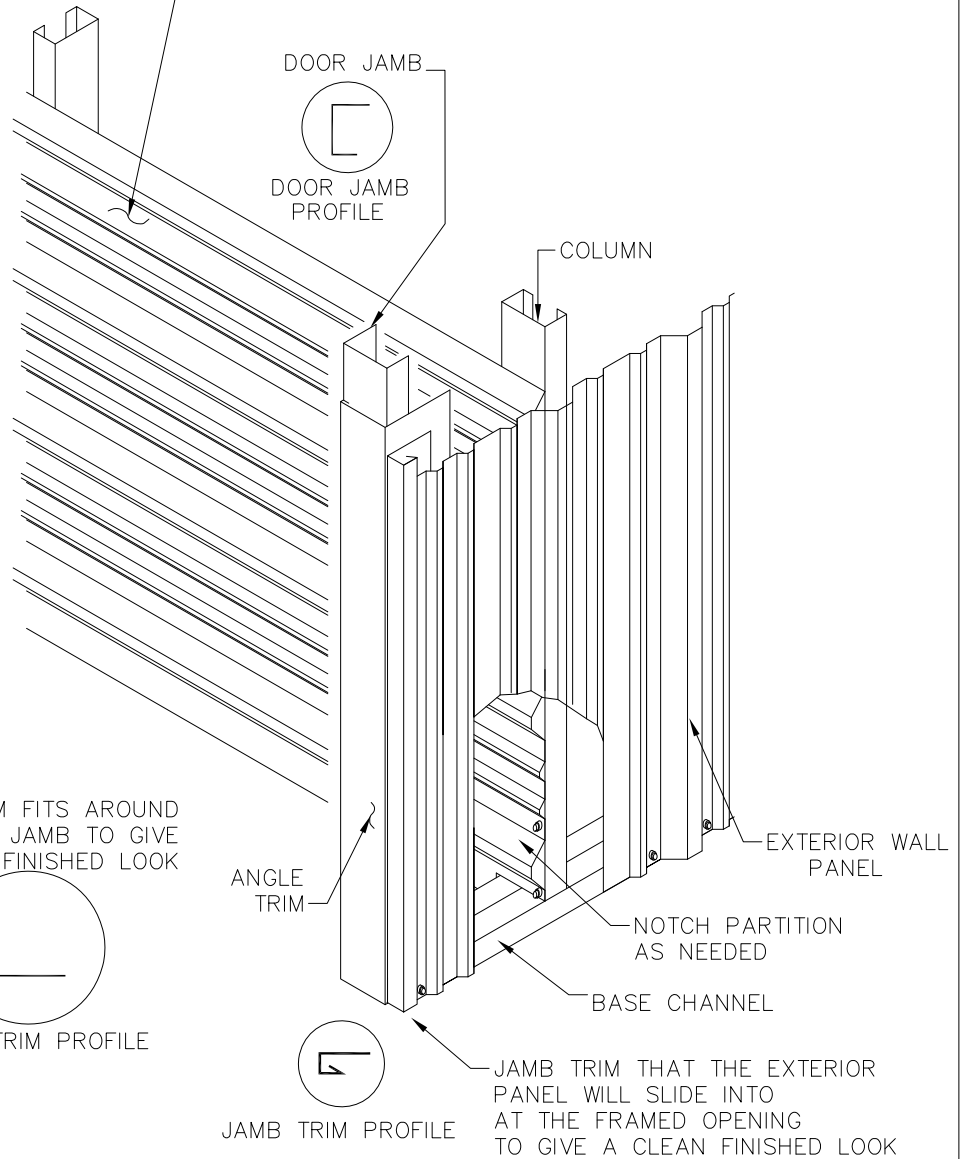
NOTE : GALVANIZED MINI DOOR CHANNEL ARE STOCKED IN 1'-0" & 2'-0" LENGTHS ALL OTHERS WILL BE RED OXIDE PRIMER.



EXTERIOR WALL BASE WITH JAMB



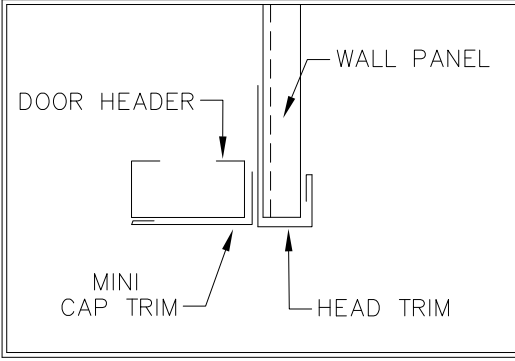
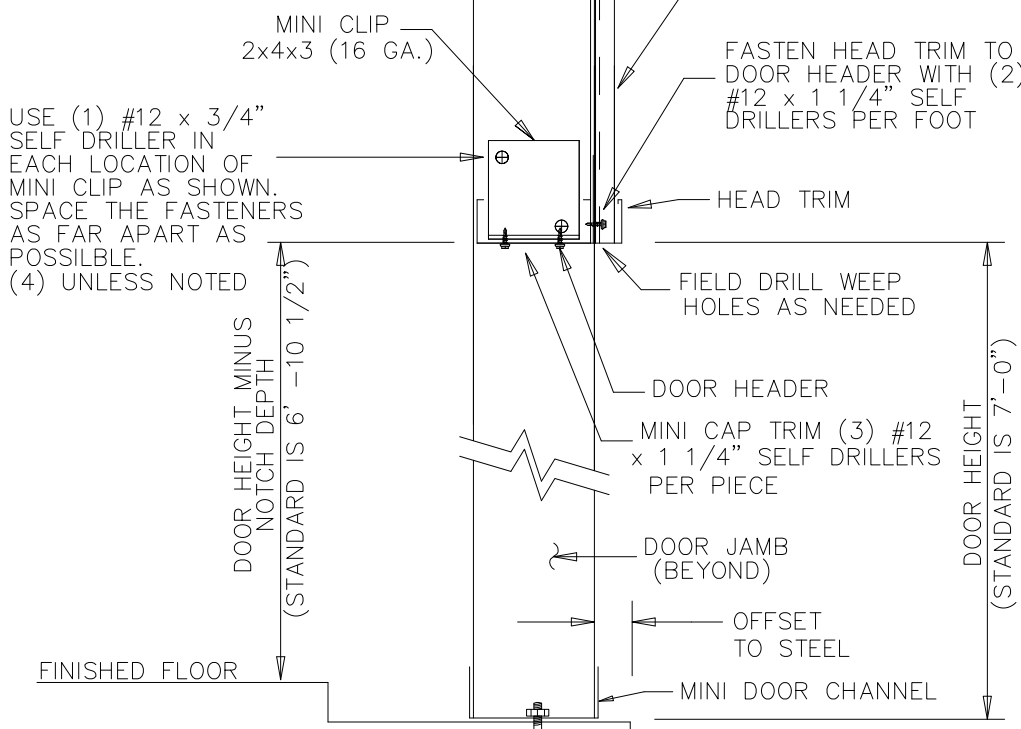
PARTITION PANEL TO ATTACH @ STUD
(NOTE : FIELD NOTCH PANEL @ BOTTOM
WHERE PANEL MEETS BASE CHANNEL)



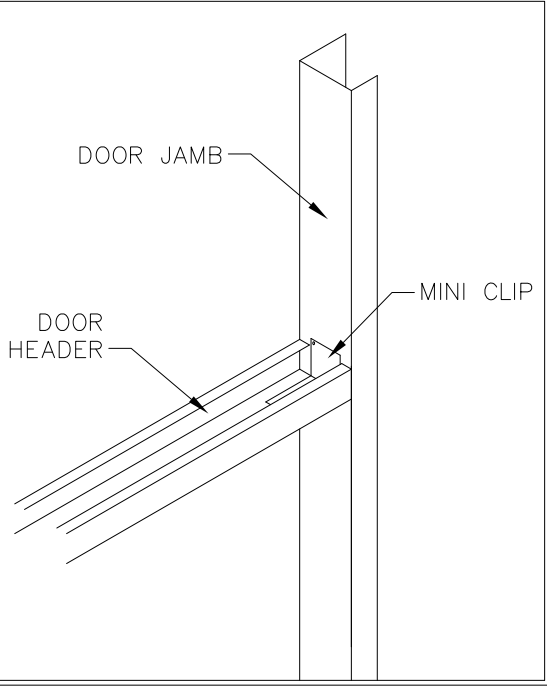
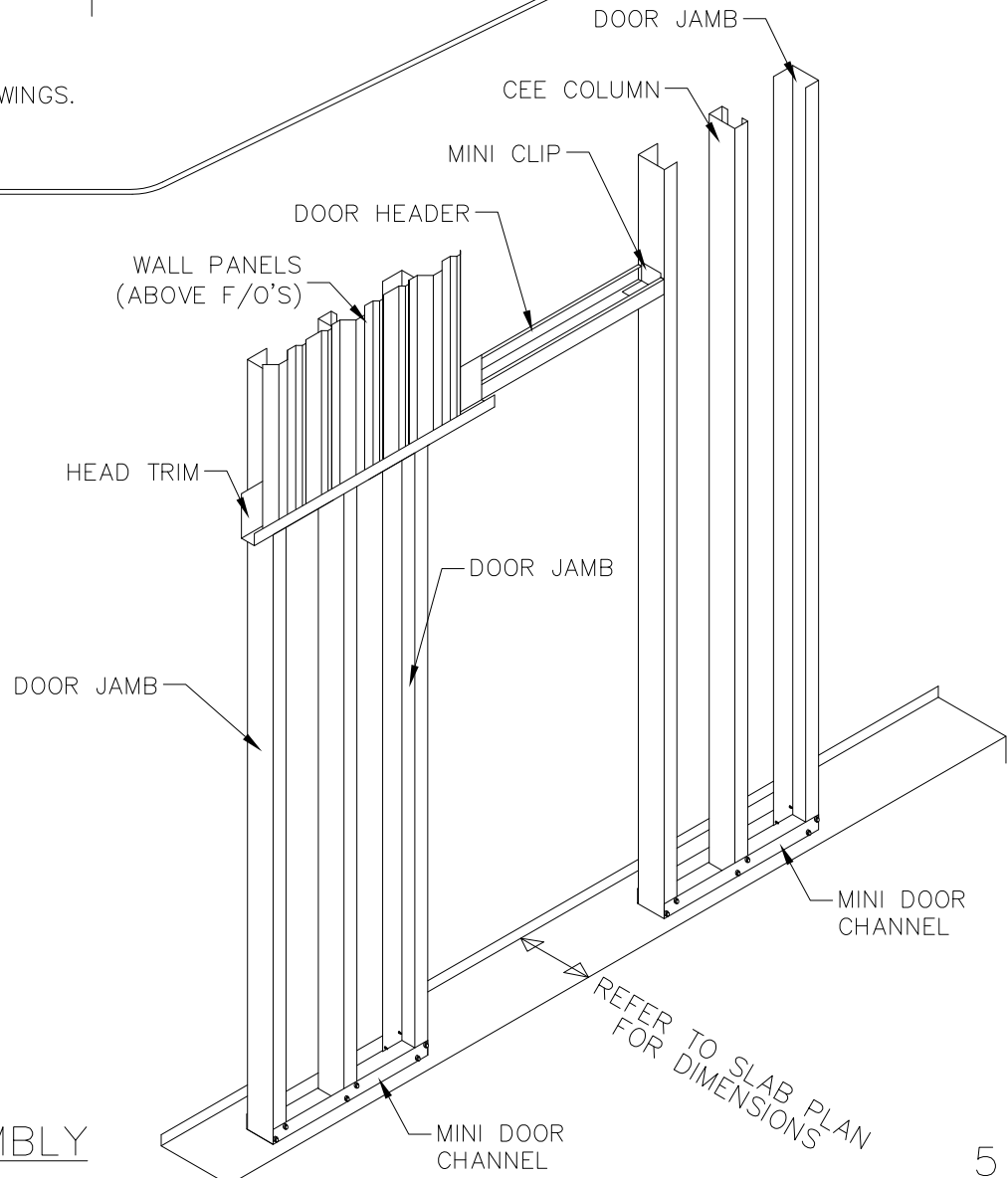
NOTE: THE 3" LEG OF THE DOOR JAMB
MUST BE ON THE INTERIOR OF
THE BUILDING.

OUTSIDE PANELS AT OPENING
(WHEN SHEETED WALL INTERSECTS WITH OPENING)

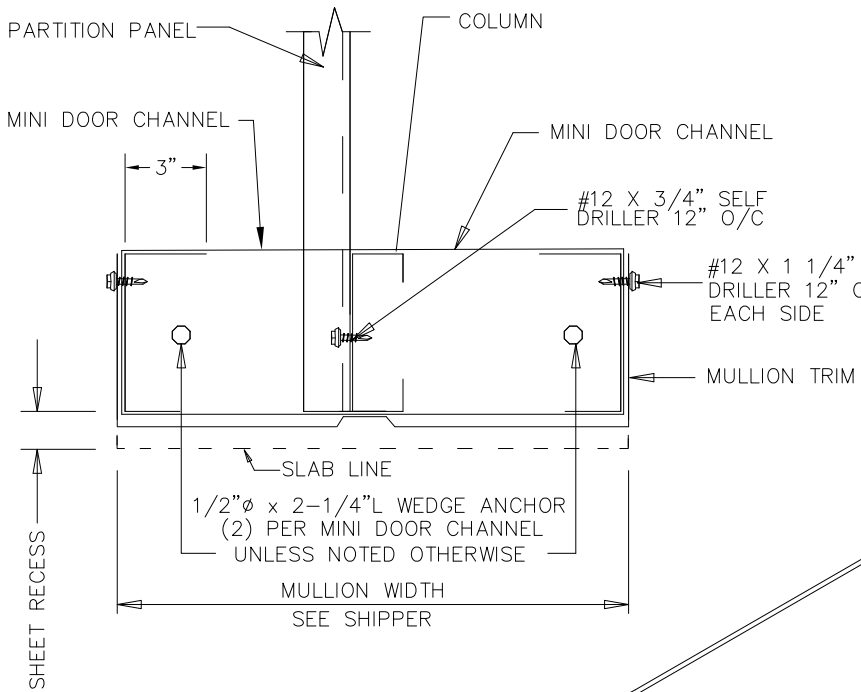
NOTE: ATTACH HEAD TRIM TO THE OUTSIDE FLANGE OF DOOR HEADER AFTER ATTACHING CAP TRIM TO THE HEADER.



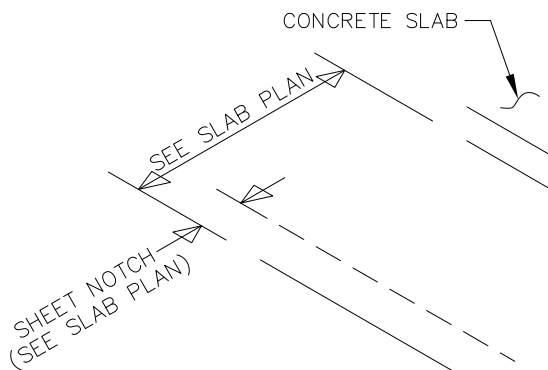
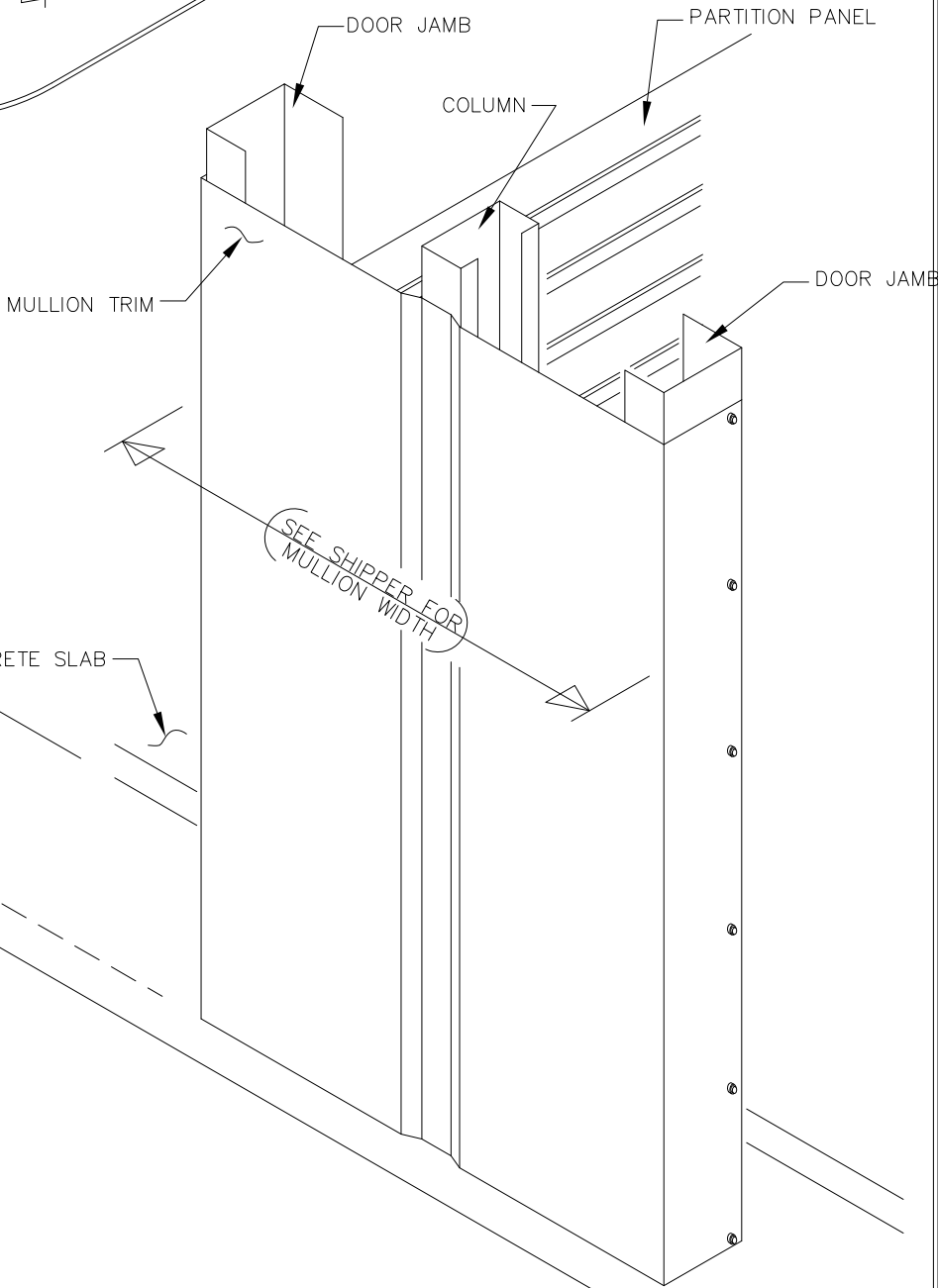
1/2"φ x 2-1/4"L WEDGE ANCHOR (2) PER MINI DOOR CHANNEL (TYP) UNLESS NOTED ON ERECTION DRAWINGS.



DOOR HEADER ASSEMBLY

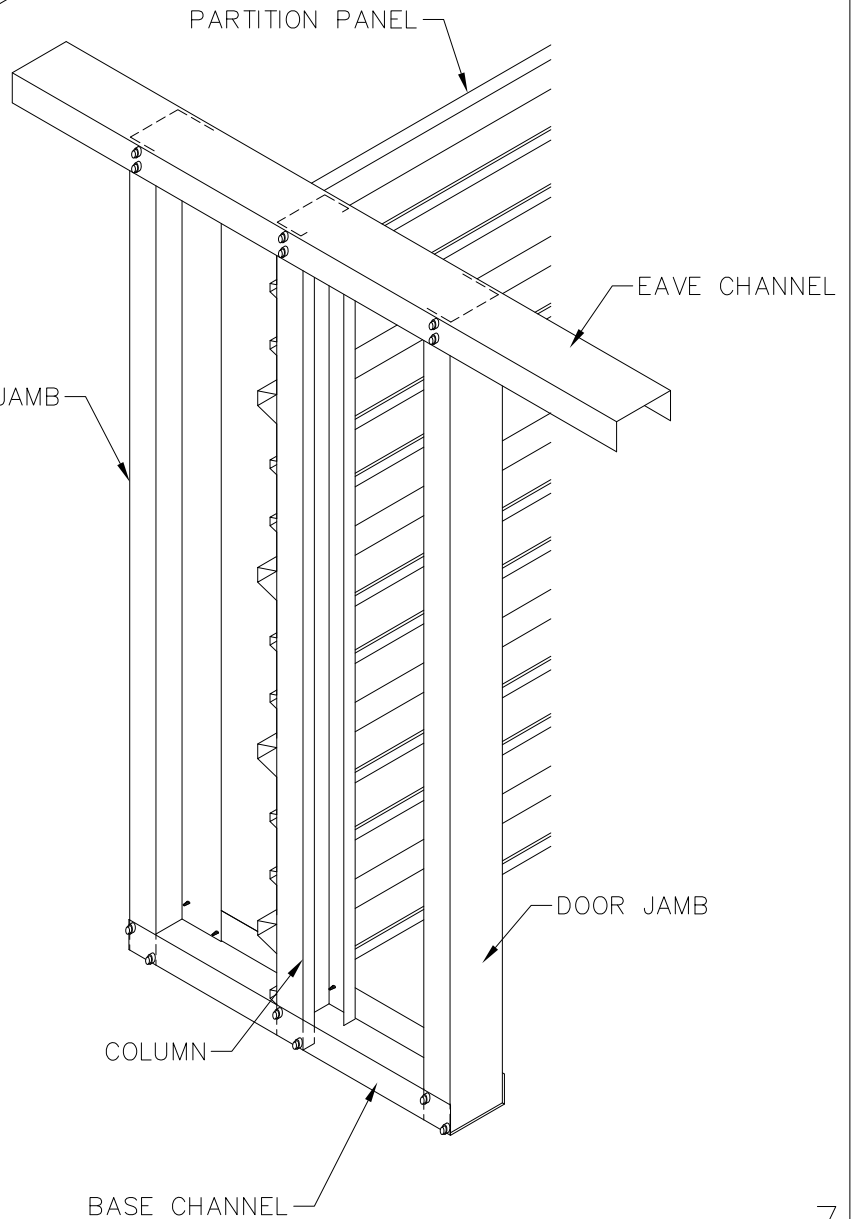
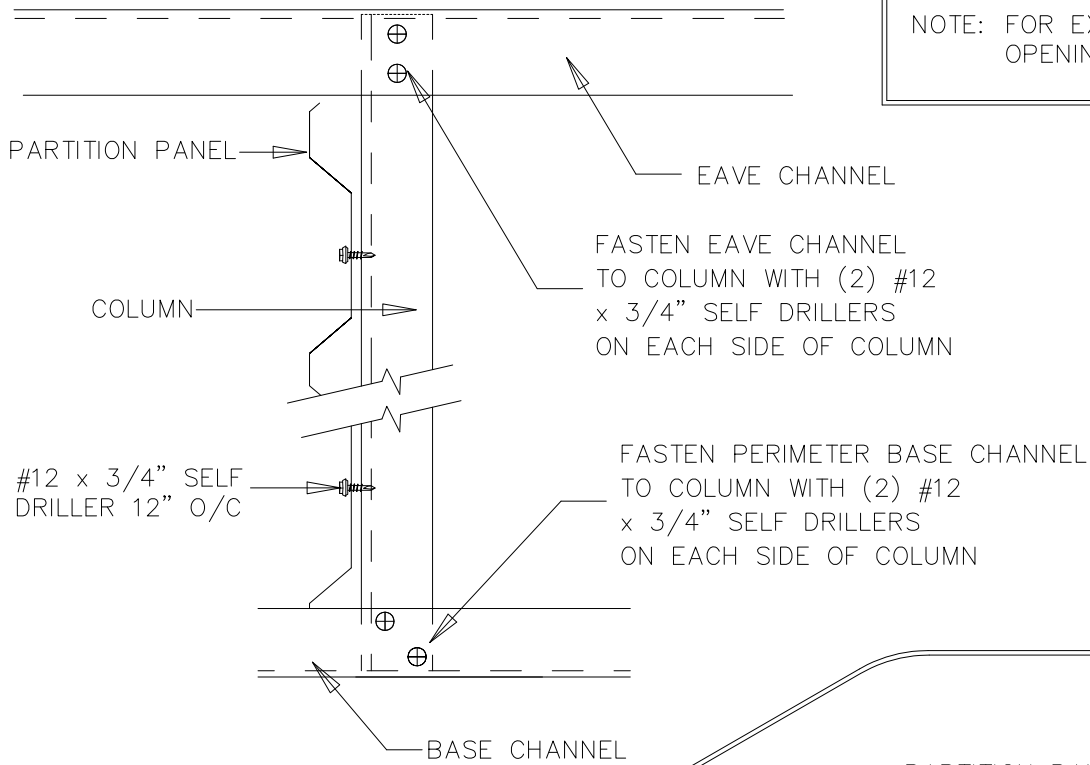


NOTE: THE 3" LEG OF THE DOOR JAMB MUST BE ON THE INTERIOR OF THE BUILDING.



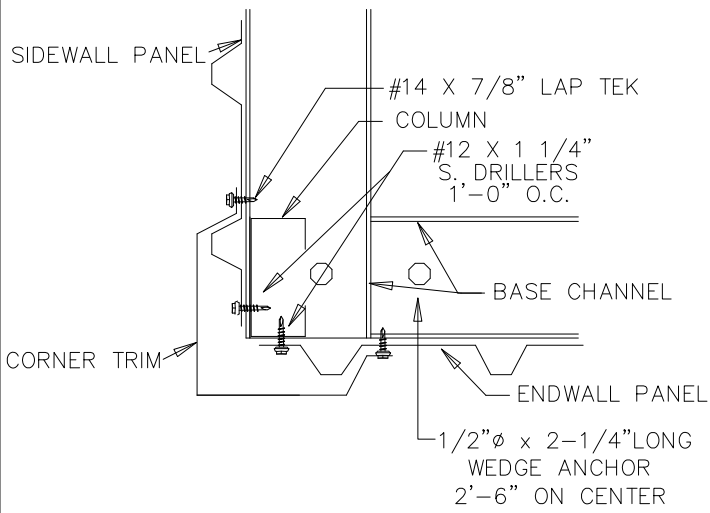
METAL MULLION ASSEMBLY

NOTE: FOR EXTERIOR WALLS WITHOUT FRAMED OPENINGS EXCLUDE JAMBS

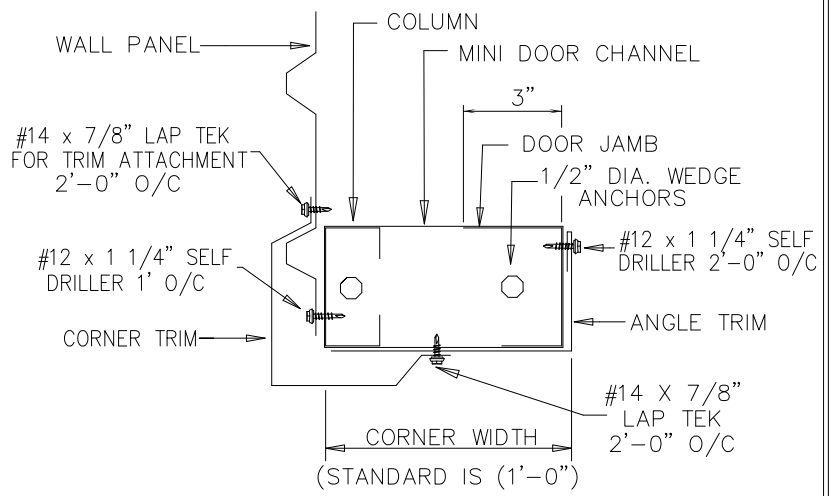


NOTE : (DETAIL APPLIES @ CEE COLUMN WITH OR WITHOUT JAMBS)

SIDEWALL FRAMING WITH JAMBS



CORNER TRIM ASSEMBLY

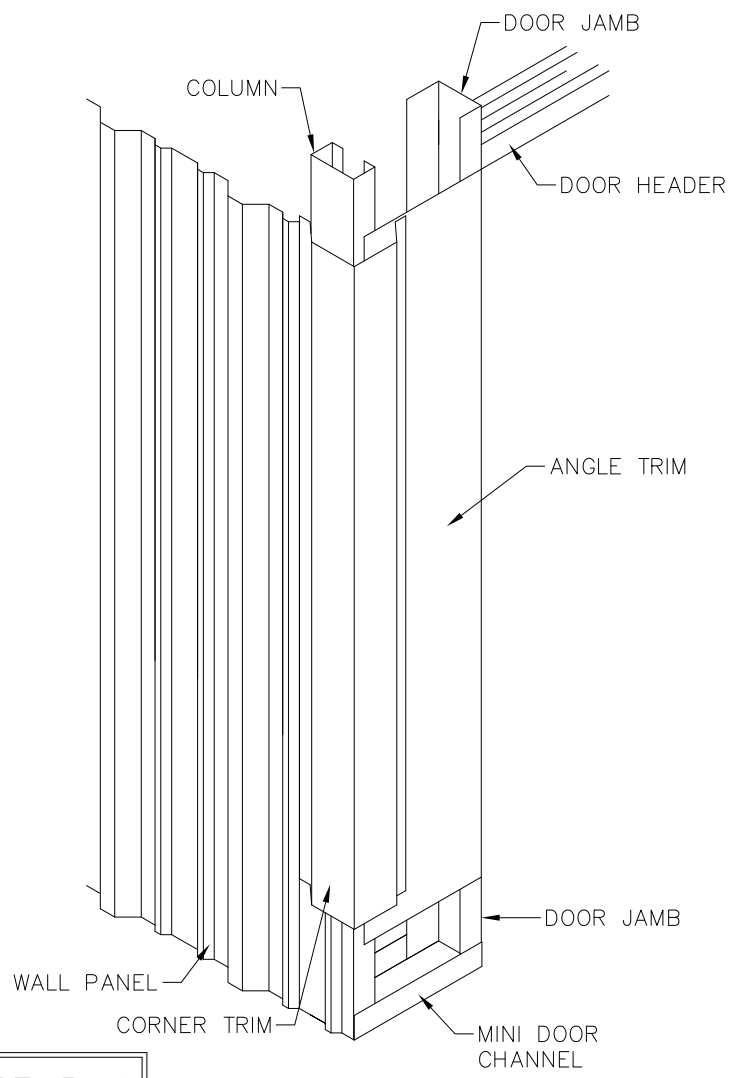
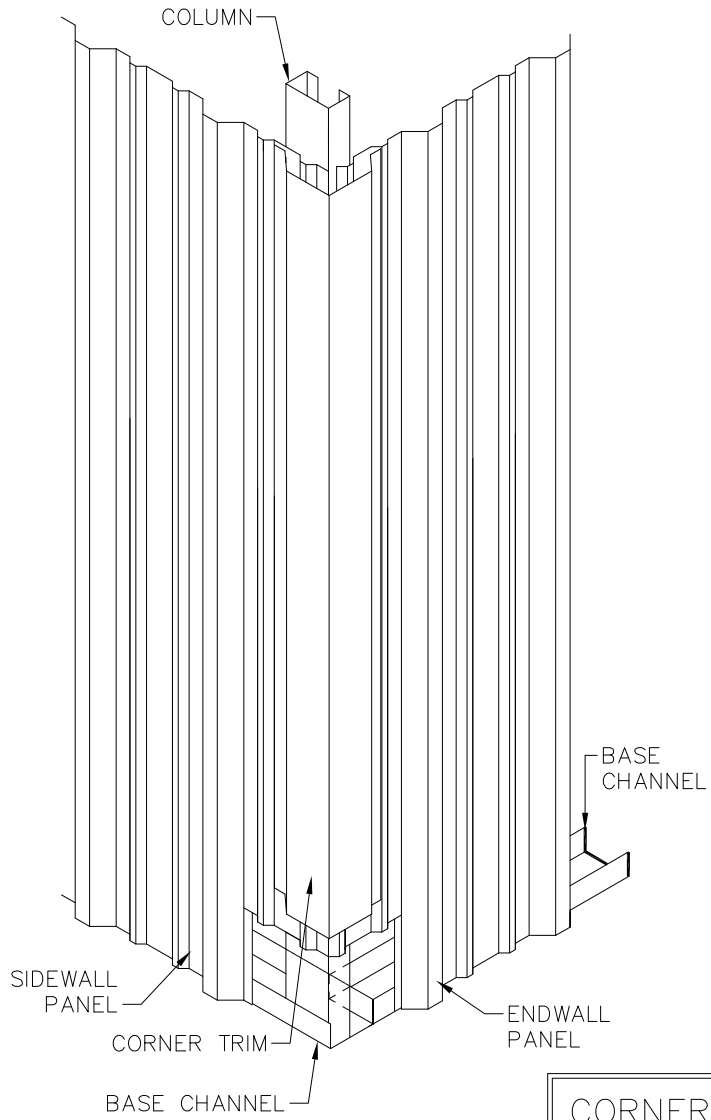


CORNER ASSEMBLY AT JAMBS
(LEFT HAND SHOWN/RIGHT HAND OPPOSITE)

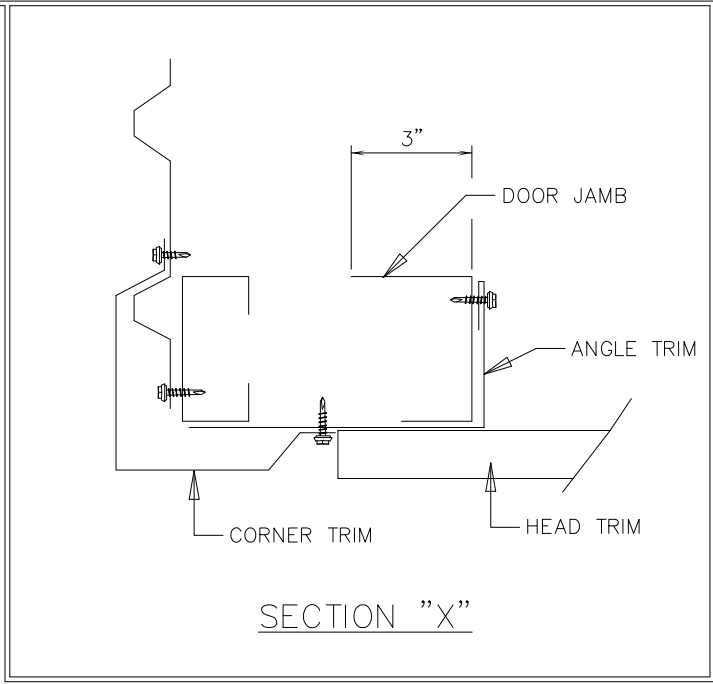
NOTE: BOTH THE CORNER AND ANGLE TRIM RUN ALL THE WAY DOWN TO THE SLAB. SHOWN CUT-BACK FOR CLARITY.



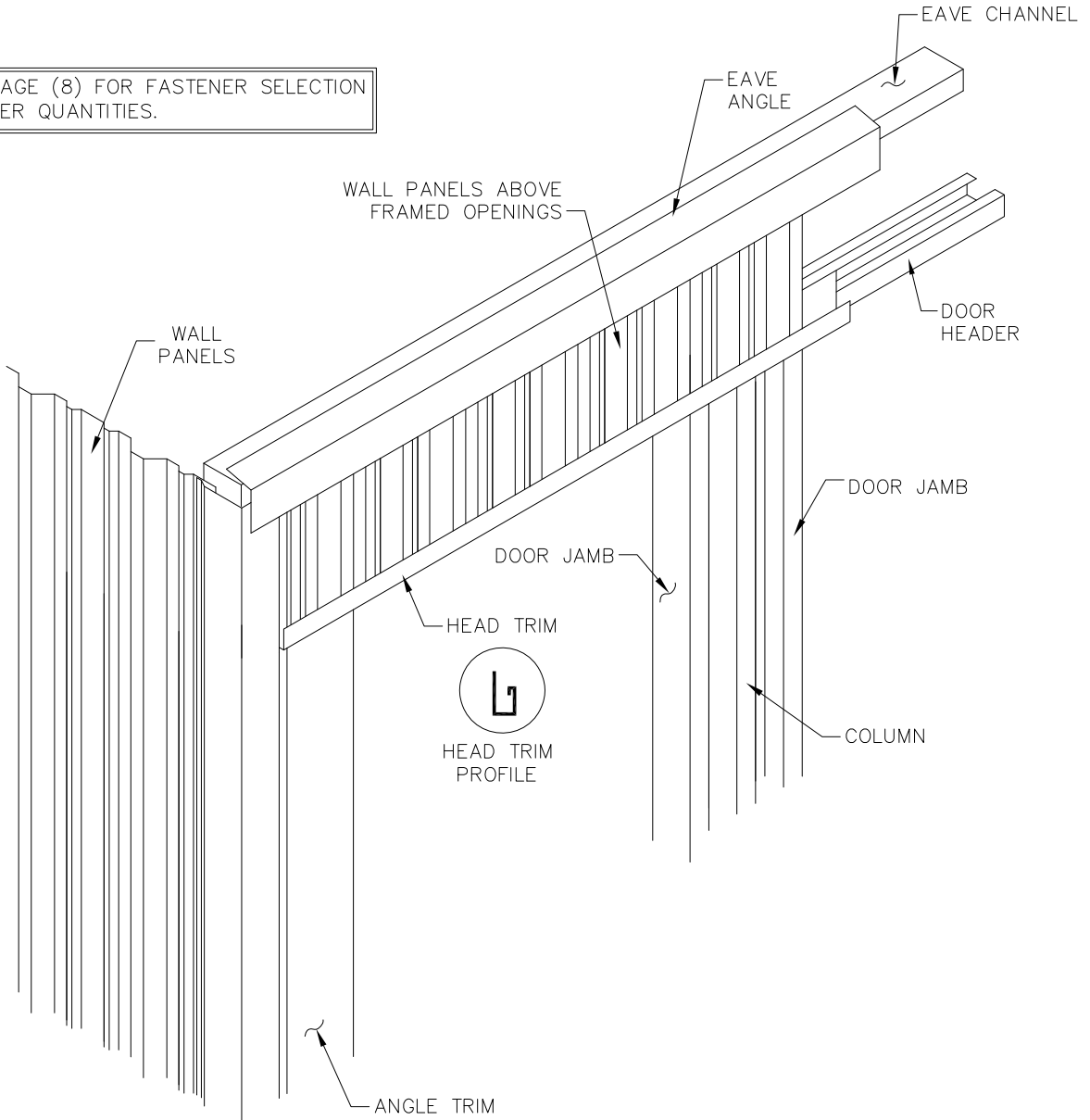
ANGLE TRIM PROFILE



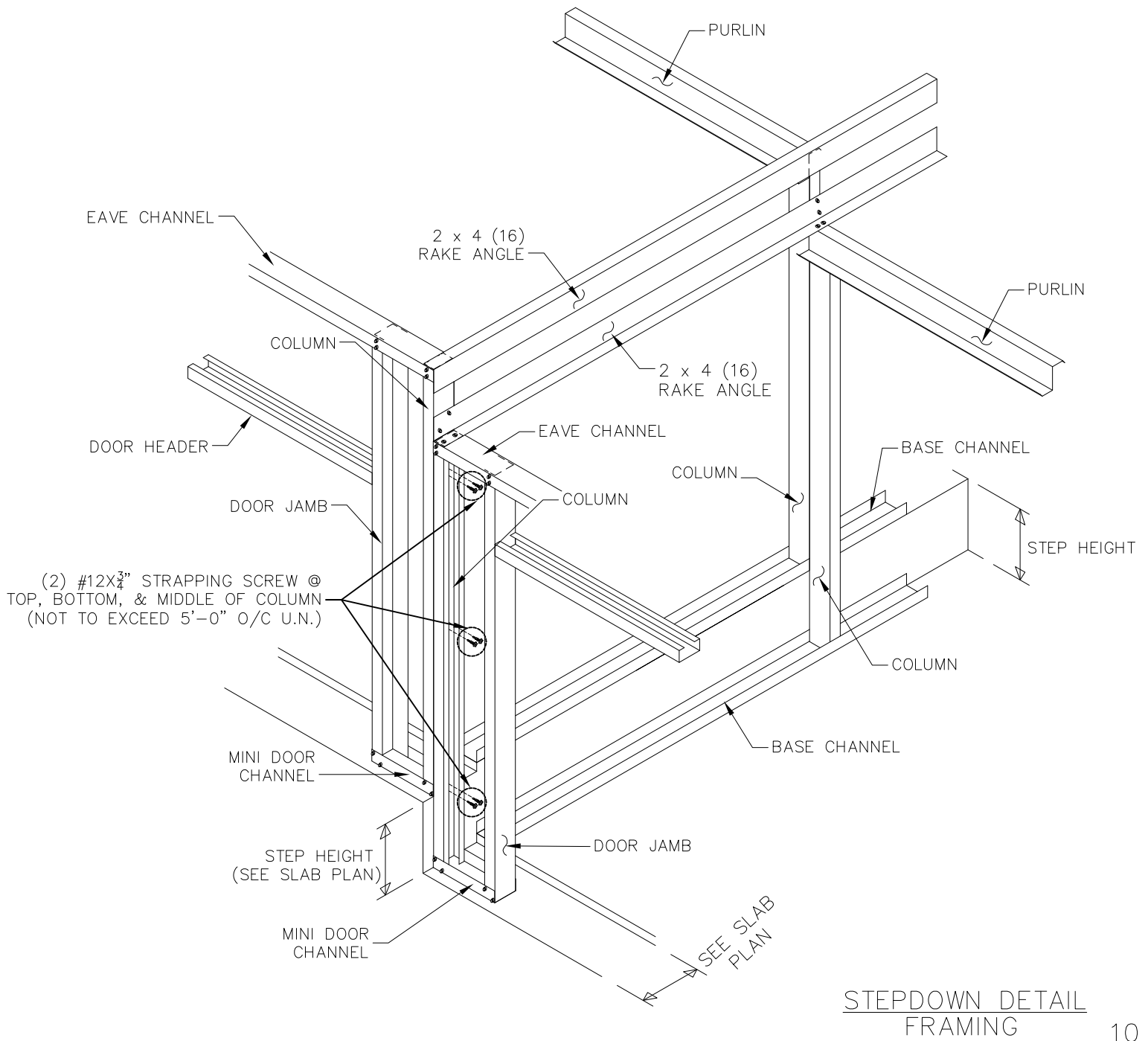
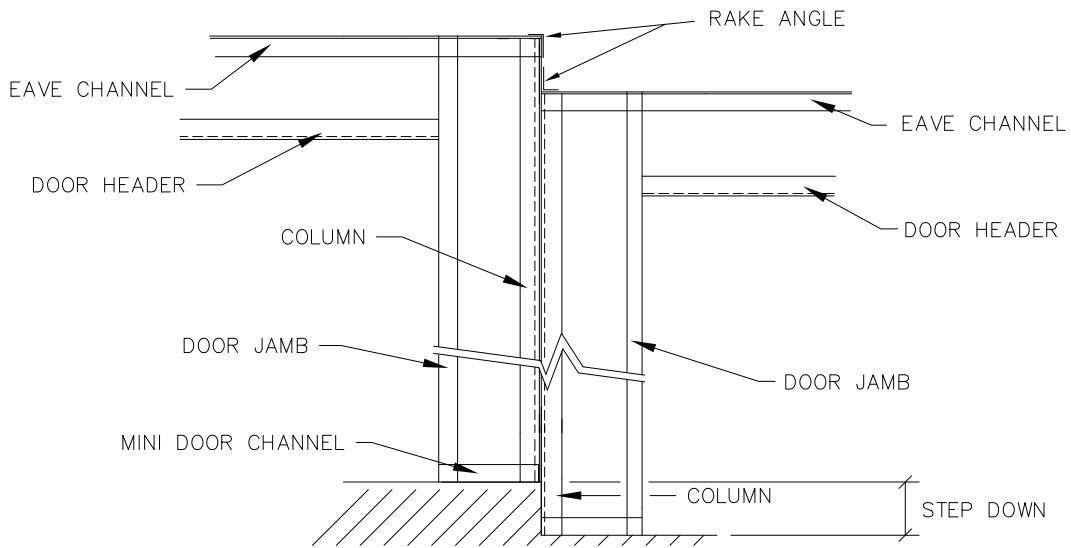
CORNER ASSEMBLY

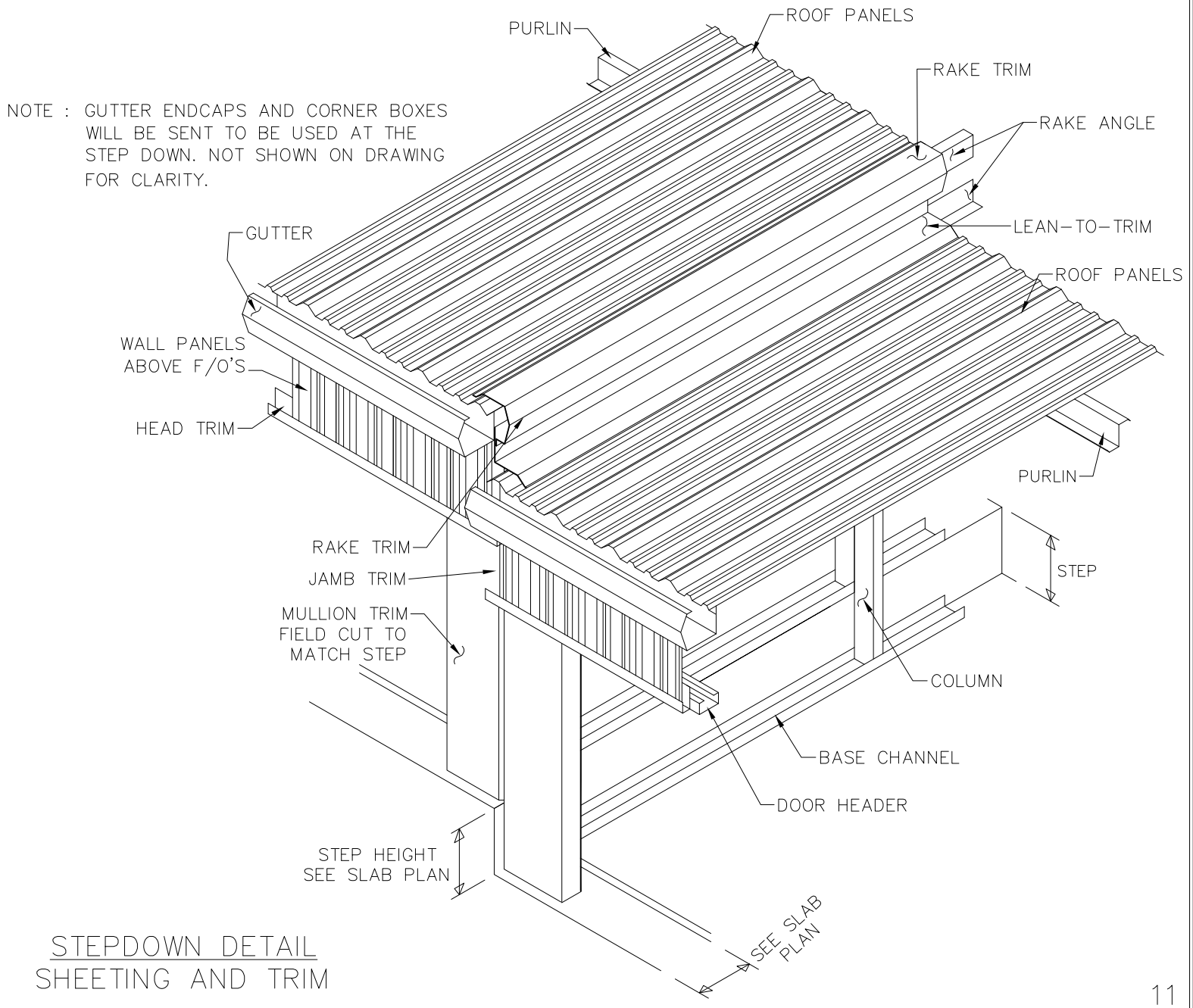
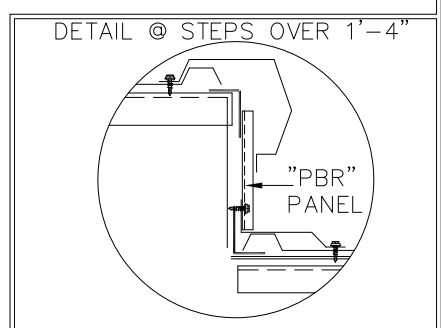
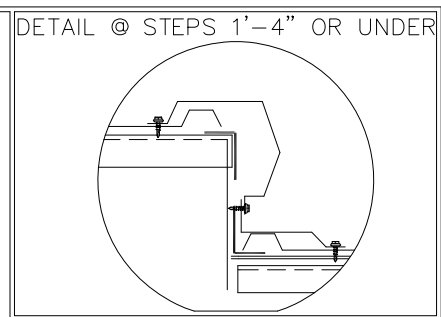
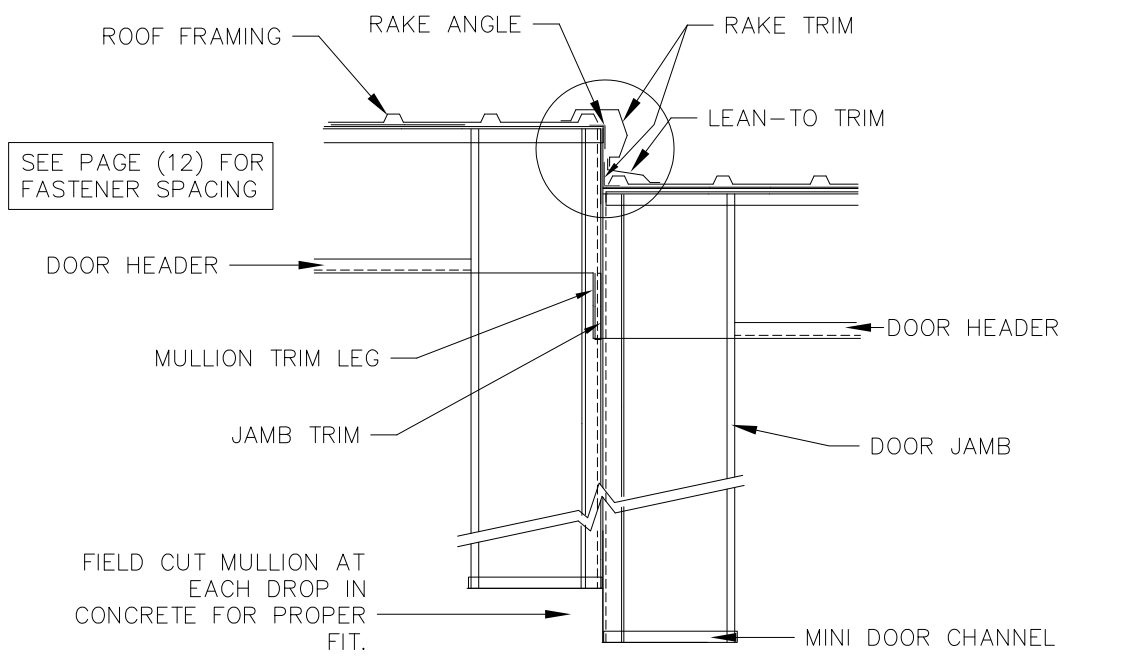


NOTE : REFER TO PAGE (8) FOR FASTENER SELECTION AND FASTENER QUANTITIES.

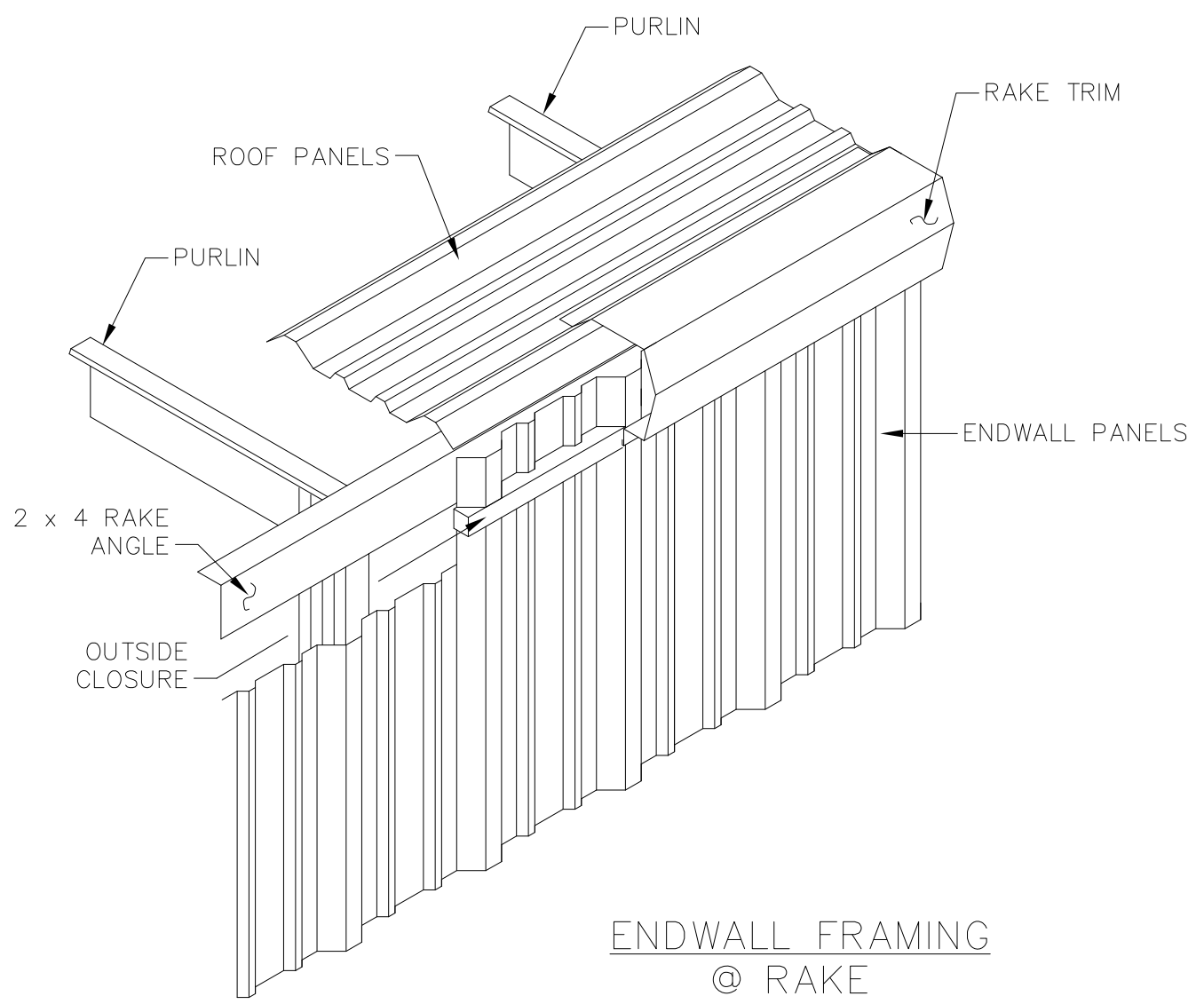
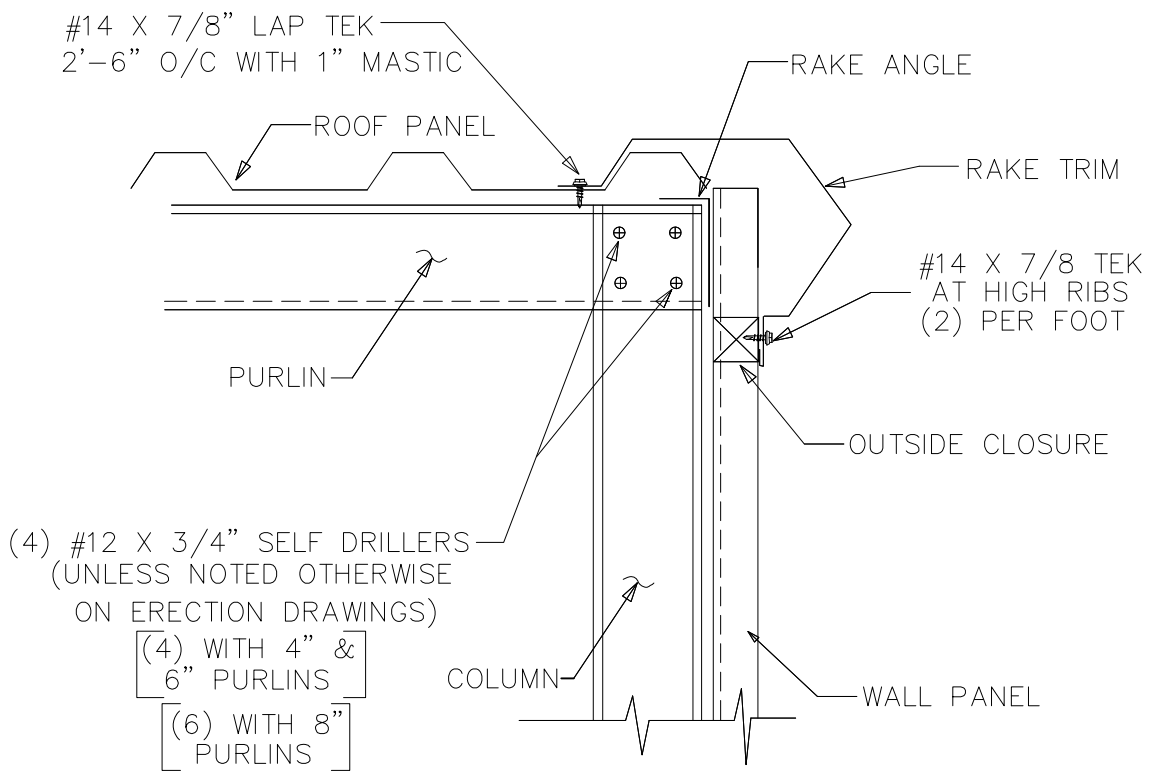


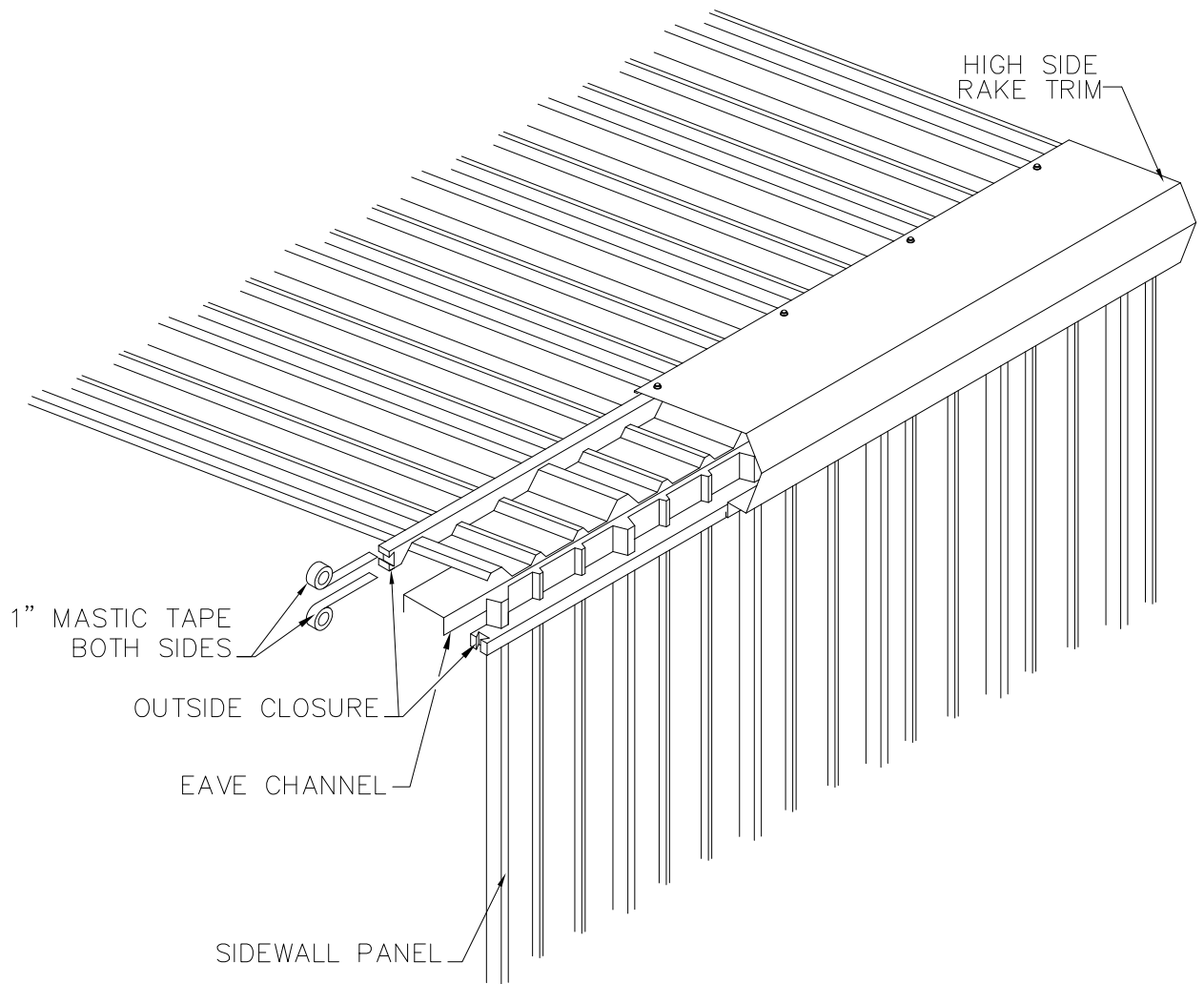
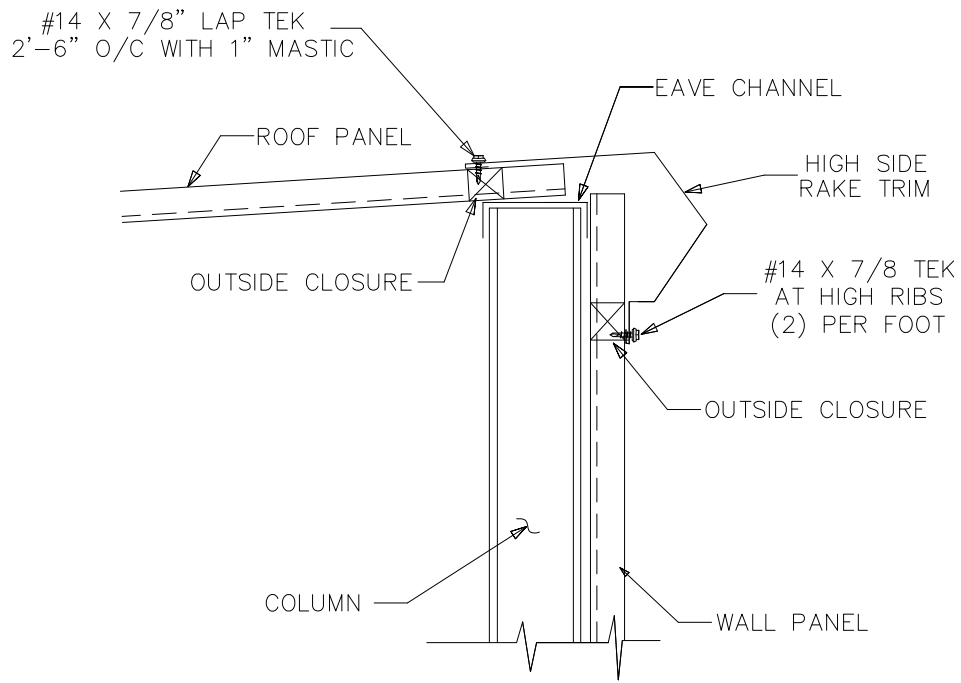
CORNER ASSEMBLY AT JAMBS



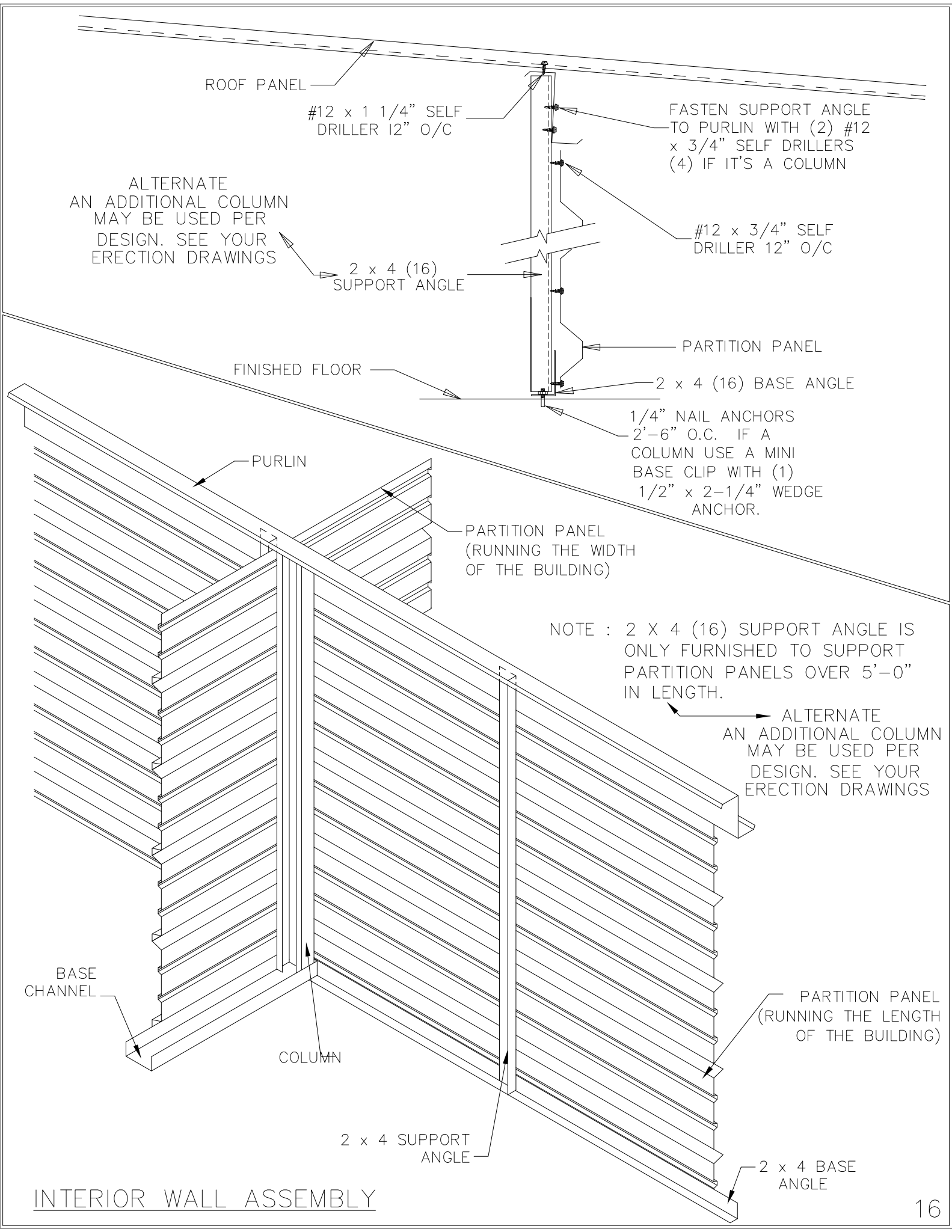


STEPDOWN DETAIL
SHEETING AND TRIM





HIGH SIDE CONDITION OF
SINGLE SLOPE BUILDING'S



ROOF PANEL

#12 x 1 1/4" SELF DRILLER 12" O/C

FASTEN SUPPORT ANGLE TO PURLIN WITH (2) #12 x 3/4" SELF DRILLERS (4) IF IT'S A COLUMN

ALTERNATE AN ADDITIONAL COLUMN MAY BE USED PER DESIGN. SEE YOUR ERECTION DRAWINGS

2 x 4 (16) SUPPORT ANGLE

#12 x 3/4" SELF DRILLER 12" O/C

PARTITION PANEL

FINISHED FLOOR

2 x 4 (16) BASE ANGLE

1/4" NAIL ANCHORS 2'-6" O.C. IF A COLUMN USE A MINI BASE CLIP WITH (1) 1/2" x 2-1/4" WEDGE ANCHOR.

PURLIN

PARTITION PANEL (RUNNING THE WIDTH OF THE BUILDING)

NOTE : 2 X 4 (16) SUPPORT ANGLE IS ONLY FURNISHED TO SUPPORT PARTITION PANELS OVER 5'-0" IN LENGTH.

ALTERNATE AN ADDITIONAL COLUMN MAY BE USED PER DESIGN. SEE YOUR ERECTION DRAWINGS

BASE CHANNEL

COLUMN

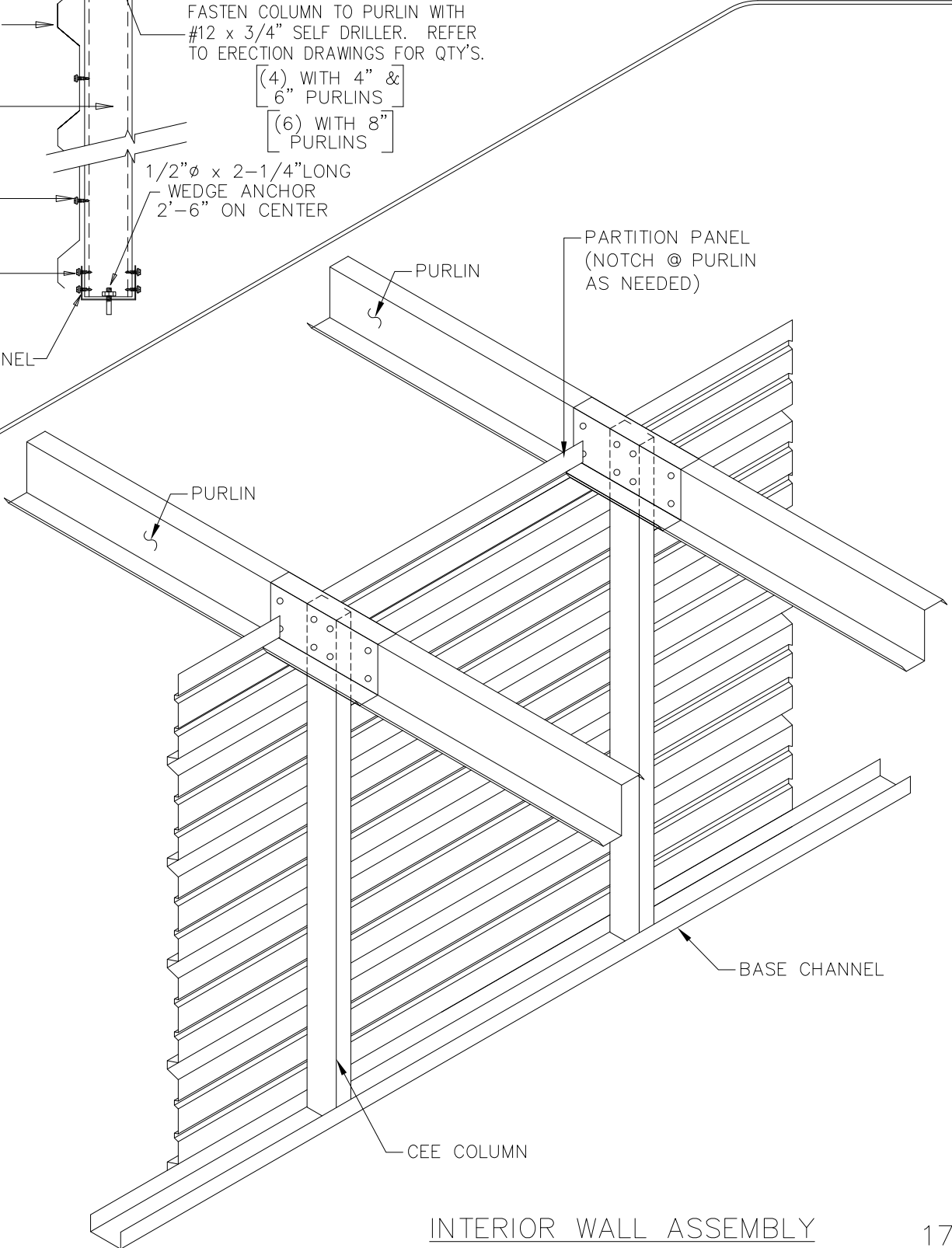
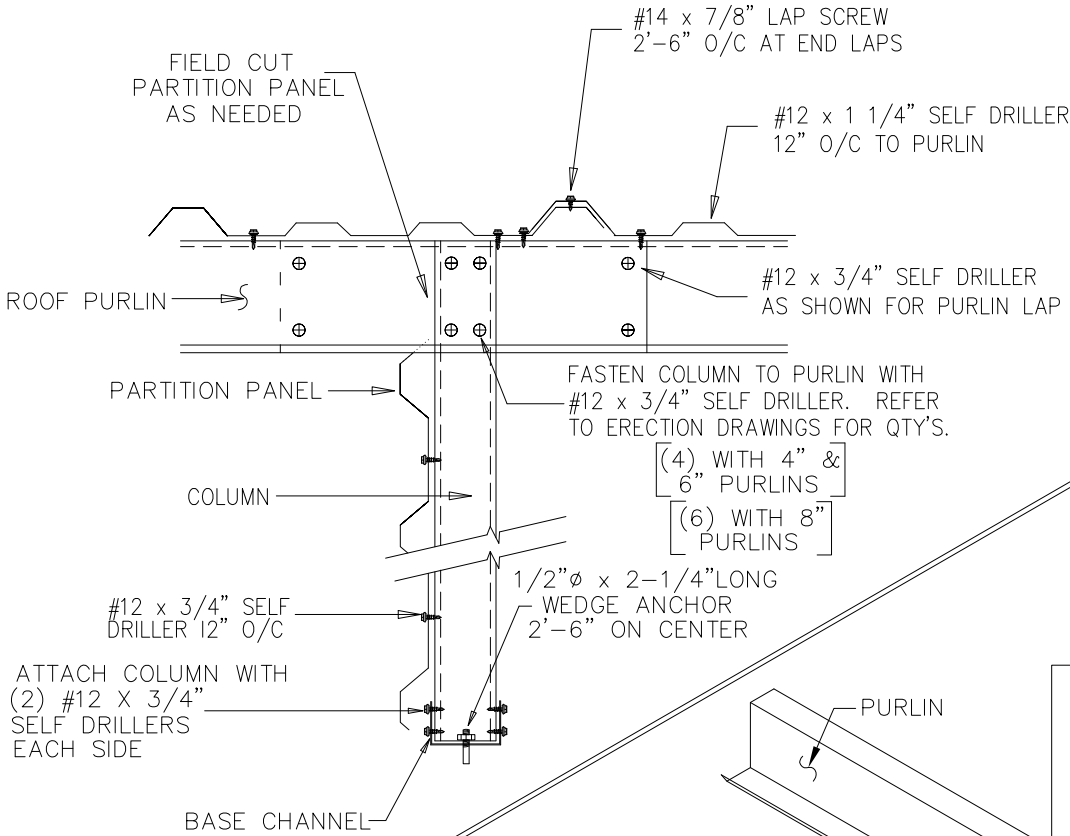
PARTITION PANEL (RUNNING THE LENGTH OF THE BUILDING)

2 x 4 SUPPORT ANGLE

2 x 4 BASE ANGLE

INTERIOR WALL ASSEMBLY

NOTE : 1/2"Ø x 2-1/4" LONG WEDGE ANCHORS ARE 2'-6" ON CENTER UNLESS NOTED OTHERWISE ON THE ERECTION DRAWINGS.

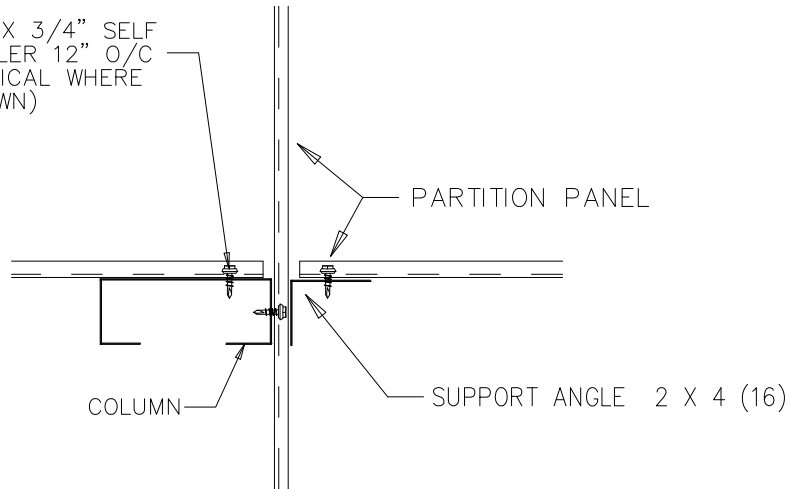


[(4) WITH 4" & 6" PURLINS]
[(6) WITH 8" PURLINS]

INTERIOR WALL ASSEMBLY

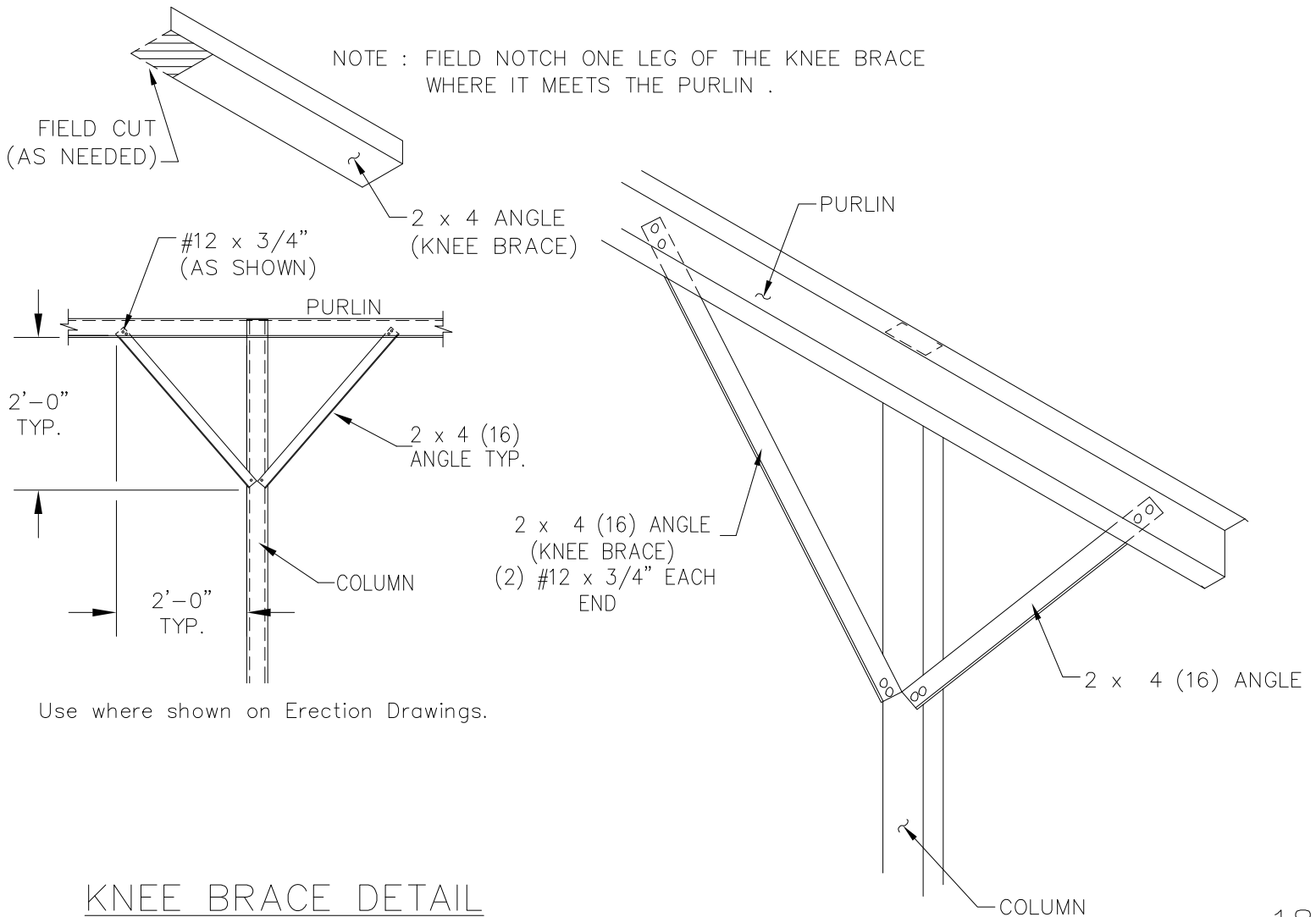
NOTE: SUPPORT ANGLE FASTENS TO HIGH RIB OF PARTITION PANELS FOR SUPPORT ONLY. FASTEN THROUGH LOW RIBS OF PARTITION PANELS WHERE POSSIBLE.

#12 X 3/4" SELF DRILLER 12" O/C (TYPICAL WHERE SHOWN)



INTERIOR PARTITION INTERSECTION

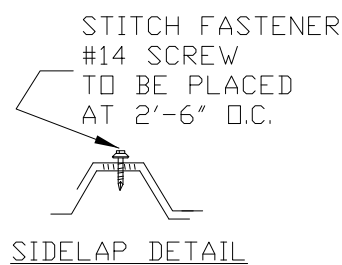
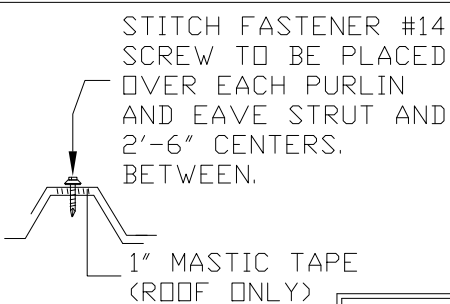
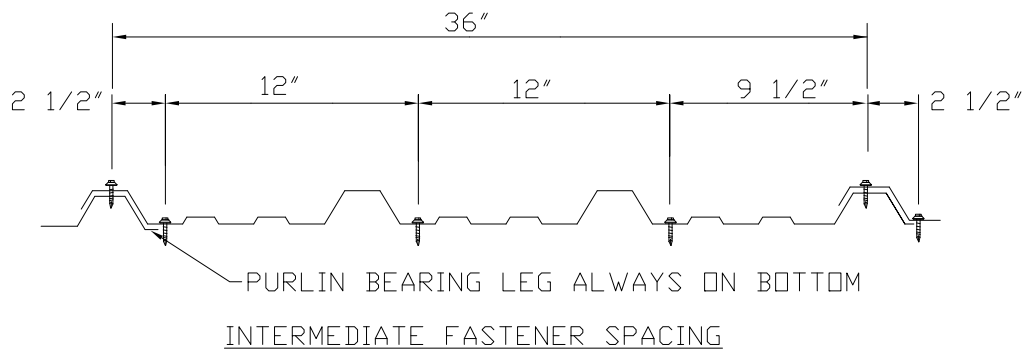
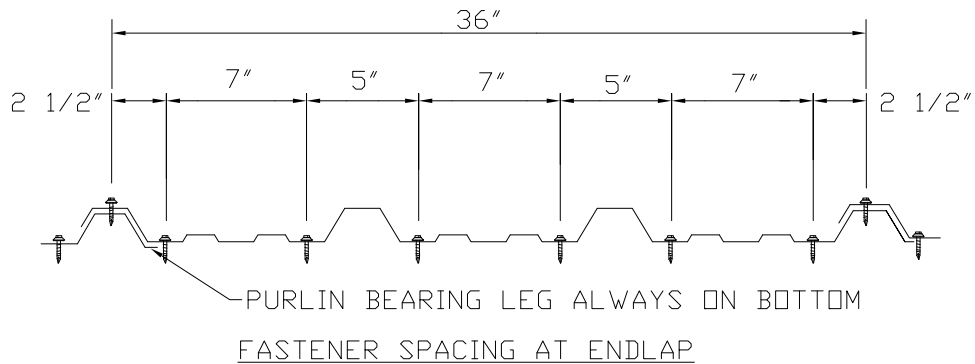
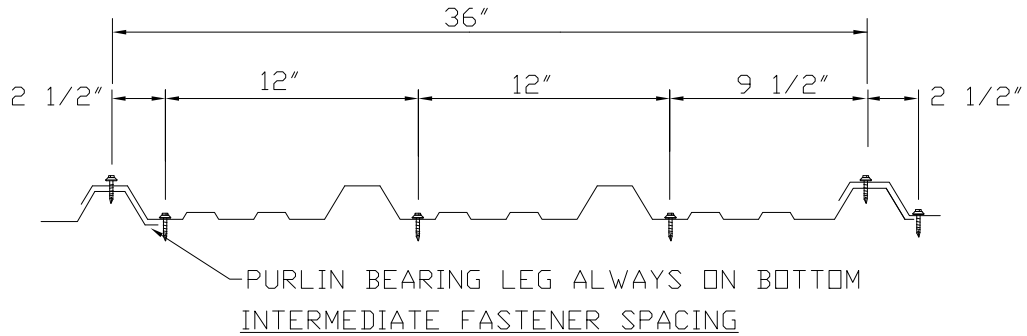
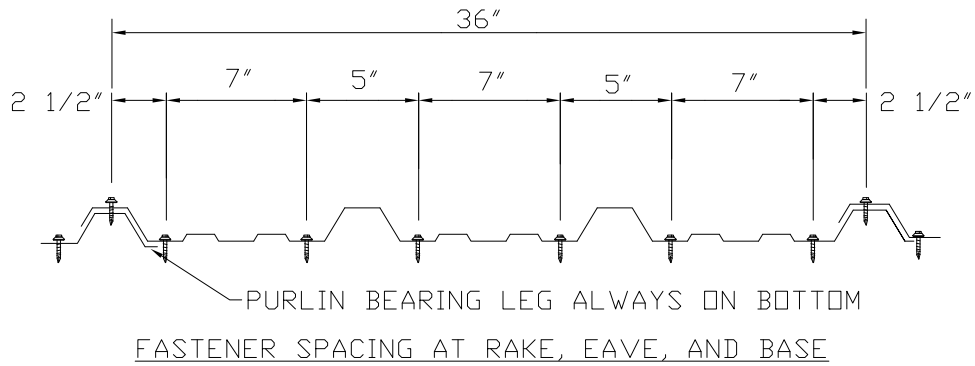
NOTE : FIELD NOTCH ONE LEG OF THE KNEE BRACE WHERE IT MEETS THE PURLIN .



Use where shown on Erection Drawings.

KNEE BRACE DETAIL

NOTE: IF A UL90 RATED ROOF IS REQUIRED, THESE FASTENERS SPACINGS MUST BE FOLLOWED.
 (SPECIAL MATERIALS ARE REQUIRED FOR SKYLIGHTS WITH UL90 RATED ROOF.)

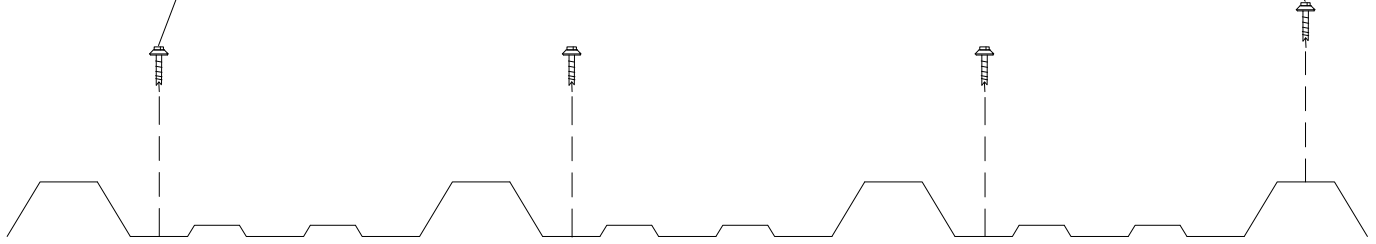


NOTE: IF A UL90 RATED ROOF IS
 REQUIRED, PLACE STITCH
 FASTENER #14 x 7/8" SCREW
 OVER EACH PURLIN AND EAVE
 STRUT AND 1'-8" CENTERS
 BETWEEN.

ROOF PANEL FASTENER SPACING

#12 x 1 1/4" S. DRILLER
AT PURLINS AND GIRTS

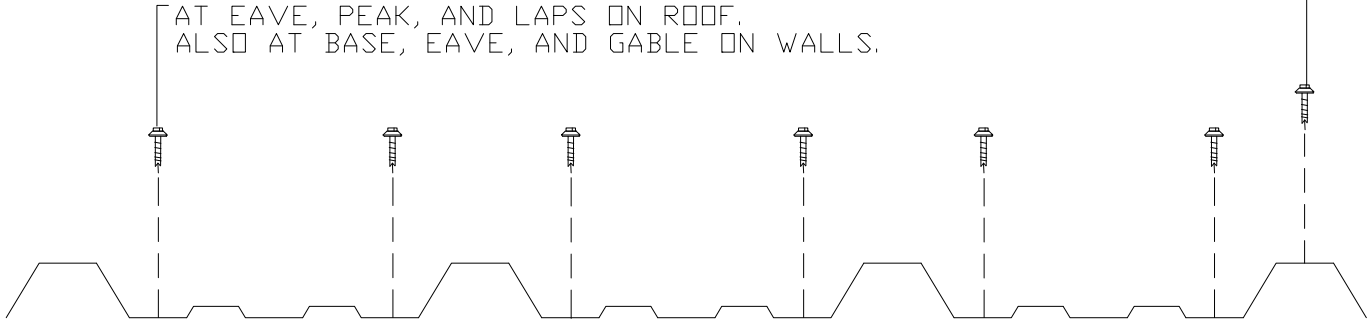
#14 x 7/8" LAP TEK
AT 2'-6" CENTERS BETWEEN



PATTERN #1

#12 x 1 1/4" S. DRILLER
AT EAVE, PEAK, AND LAPS ON ROOF.
ALSO AT BASE, EAVE, AND GABLE ON WALLS.

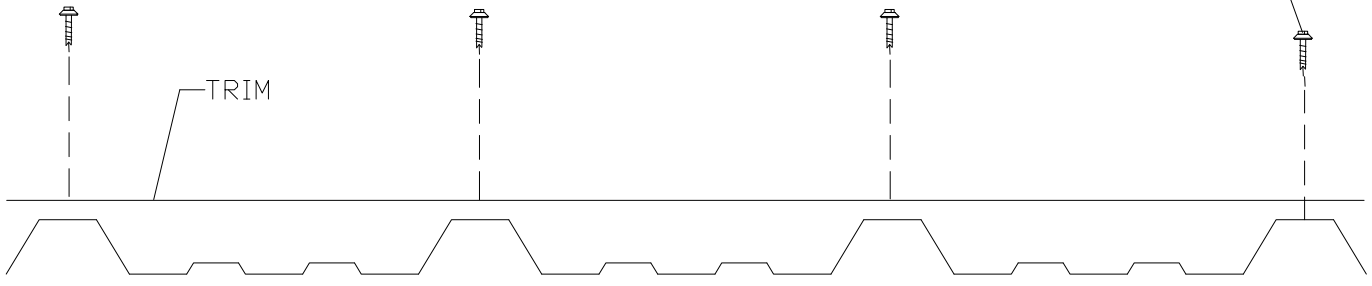
#14 x 7/8" LAP TEK
AT 2'-6" CENTERS BETWEEN



PATTERN #2

TRIM

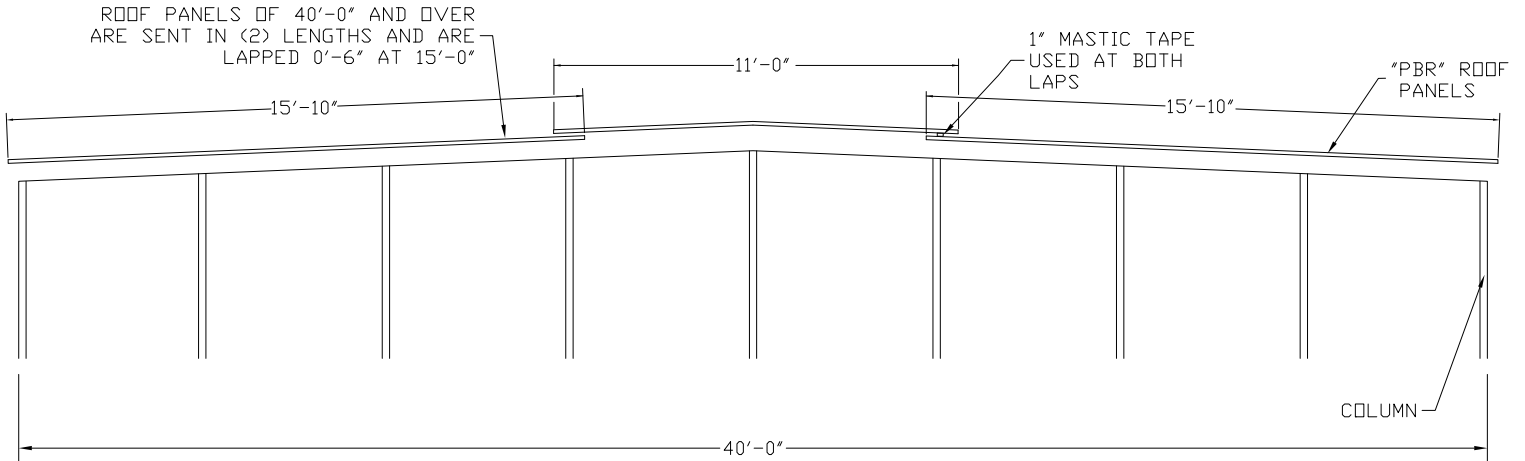
#14 x 7/8" LAP TEK



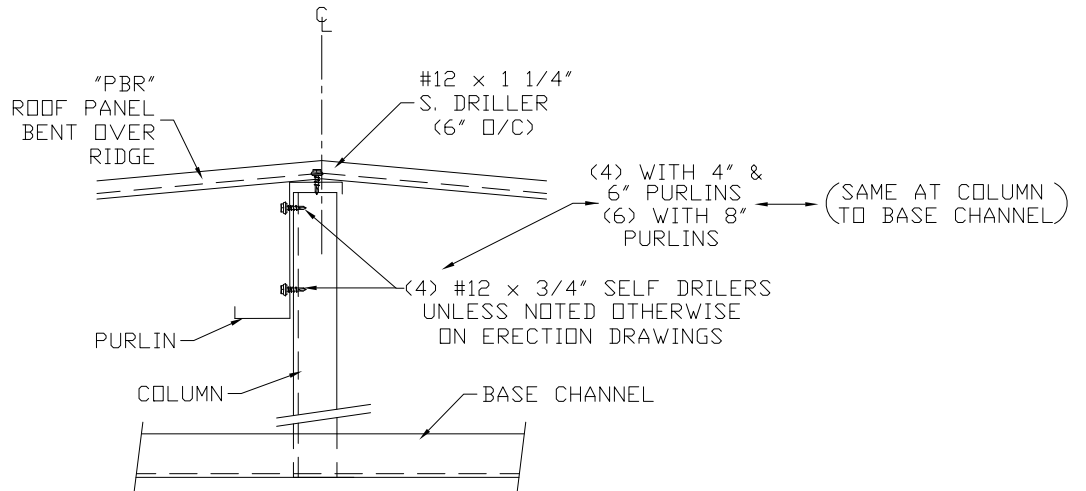
PATTERN #3

FASTENER PATTERNS

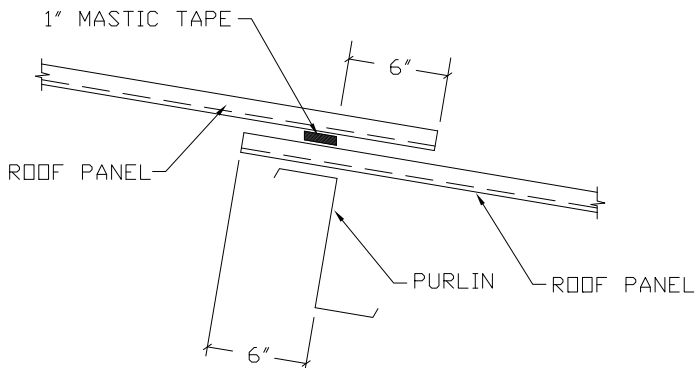
ROOF PANELS @ RIDGE & LAPS



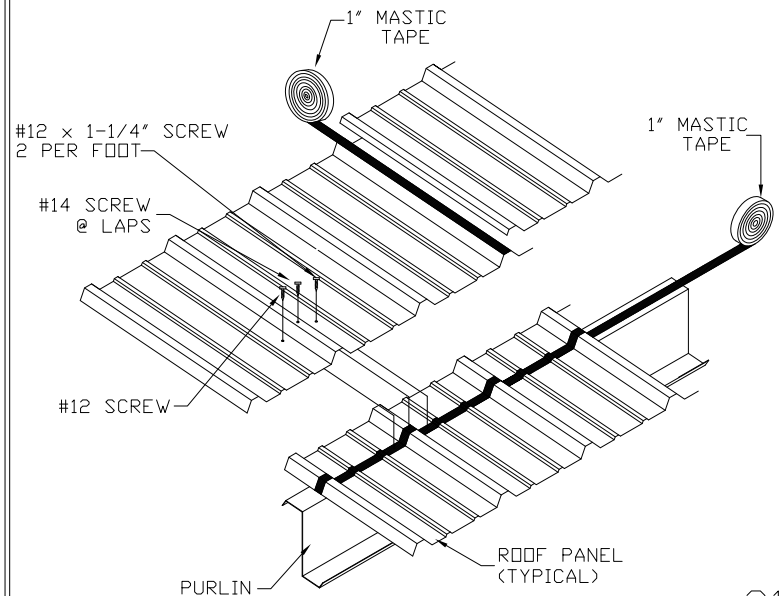
ROOF PANELS OVER 35'-9" LONG OR BUILDINGS WITH A SLOPE GREATER THAN A 1/2:12 WILL REQUIRE A SPLICE.



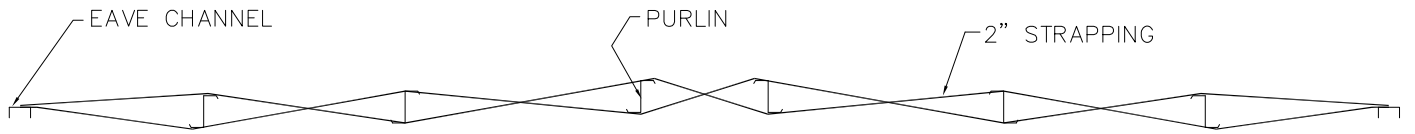
ROOF PANEL LAYOUT AT PEAK FOR BUILDINGS 35'-0" OR LESS



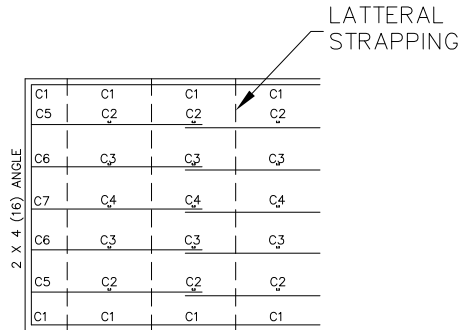
ROOF PANEL @ ENDLAPS



NOTE: ALL STRAPPING MUST BE PULLED TIGHT WITH NO SAGS.

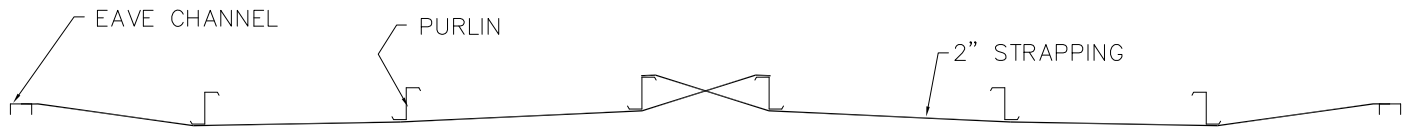


LATTERAL ROOF STRAPPING – STANDING SEAM ROOF
 ATTACH WITH (2) #12 x 3/4" SCREWS AT EACH PURLIN & EAVE CHANNEL

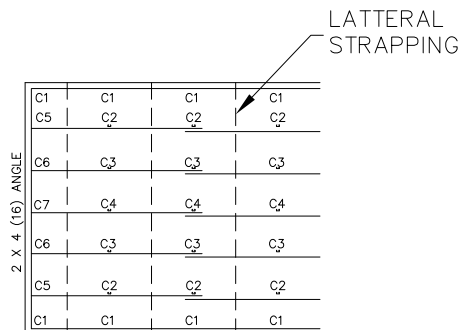


ROOF FRAMING AS YOU WILL SEE ON YOUR SET OF ERECTION DRAWINGS.

NOTE: ALL STRAPPING MUST BE PULLED TIGHT WITH NO SAGS.



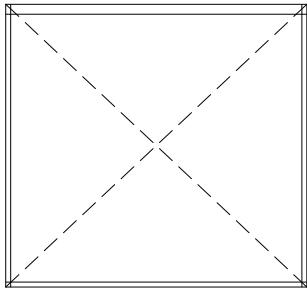
LATTERAL ROOF STRAPPING – SCREW DOWN ROOF
 ATTACH WITH (2) #12 x 3/4" SCREWS AT EACH PURLIN



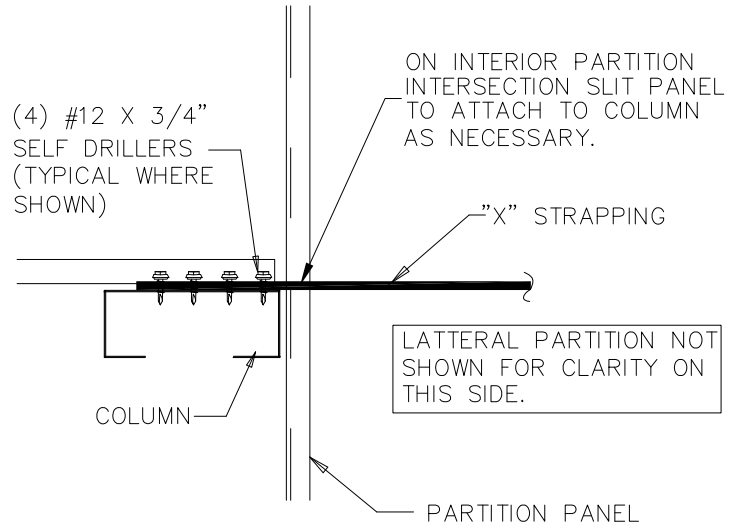
ROOF FRAMING AS YOU WILL SEE ON YOUR SET OF ERECTION DRAWINGS.

LONGITUDINAL WALL "X" STRAPPING

LONGITUDINAL WALL X-STRAPPING MUST ATTACH COLUMN TO COLUMN WITH (4) SCREWS. (1) SCREW AT ANY INTERMEDIATE GIRTS. PLACE BEHIND WALL PANELS.

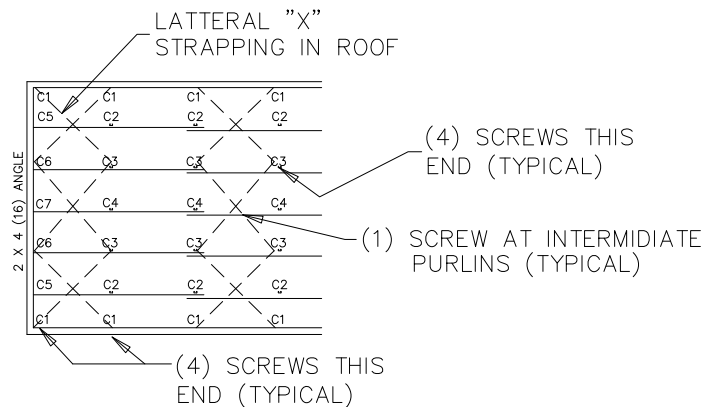
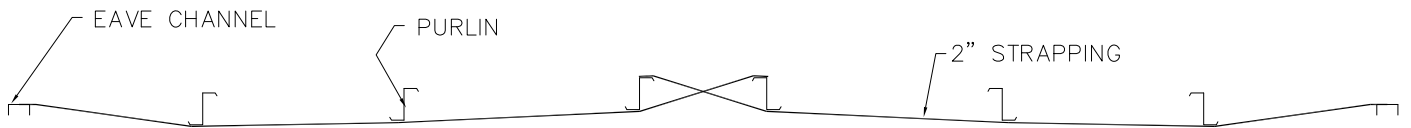


WALL ELEVATION



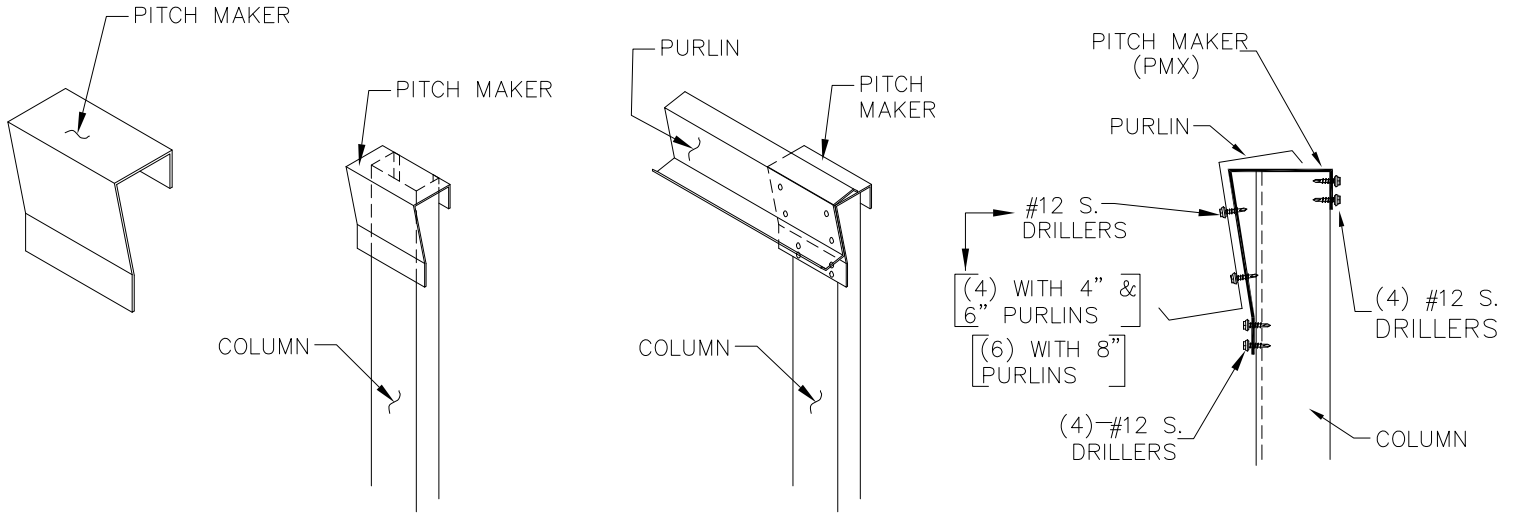
LONGITUDINAL ROOF "X" STRAPPING

LONGITUDINAL ROOF X-STRAPPING MUST USE (4) SCREWS AT ENDS AND (1) AT EACH INTERMEDIATE PURLIN.



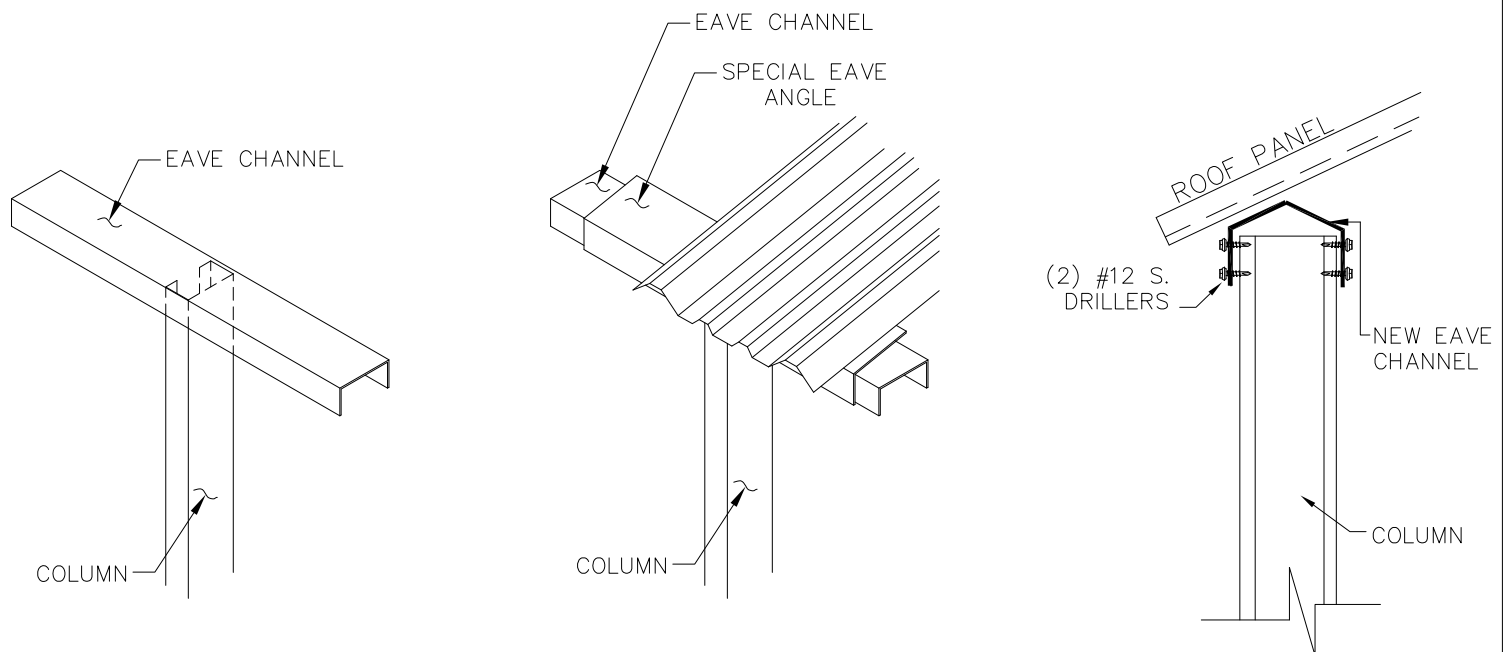
ROOF FRAMING AS YOU WILL SEE ON YOUR SET OF ERECTION DRAWINGS.

NOTE : FOR BUILDINGS WITH A 2:12 PITCH OR GREATER. THE PITCH MAKER WILL SET DIRECTLY ON TOP OF THE CEE COLUMN. THE PURLIN WILL THEN SET ON THE PITCH MAKER AT THE SAME PITCH AS ROOF.



PITCHMAKER ATTACHMENT

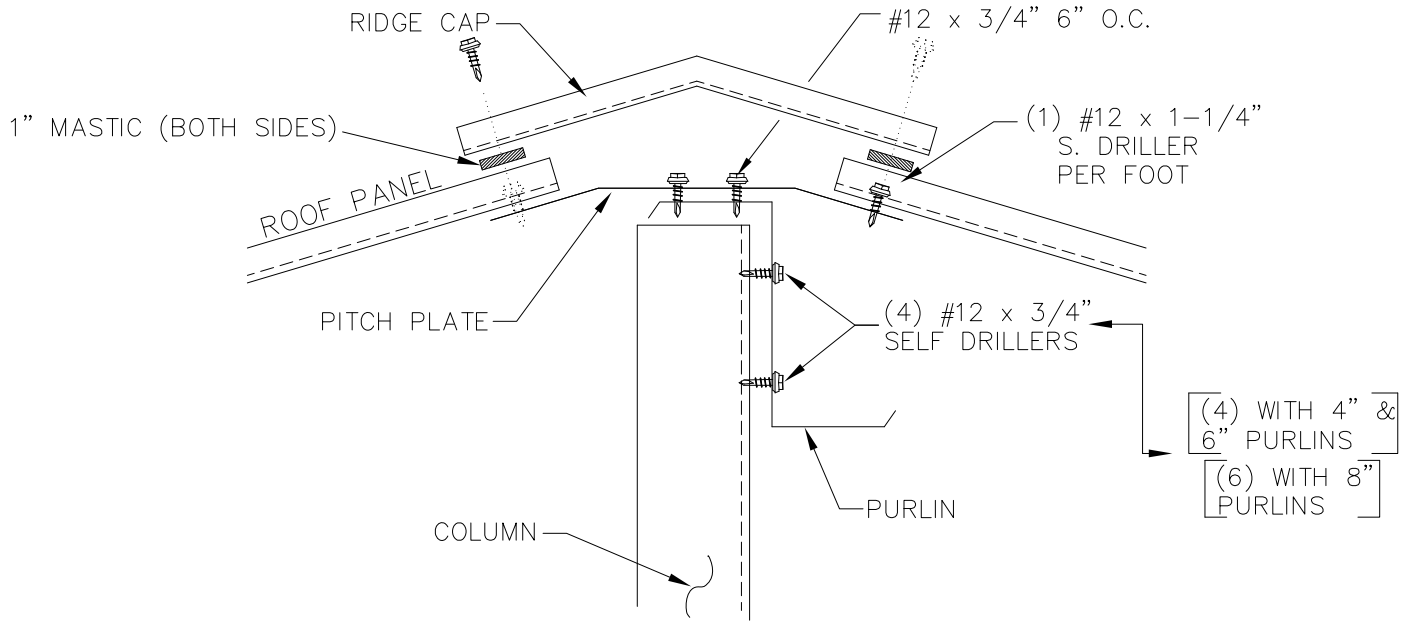
NOTE : FOR BUILDINGS WITH A 2:12 PITCH OR GREATER. THE SPECIAL EAVE ANGLE WILL BE BENT @ THE SAME PITCH AS THE ROOF ATTACHING DIRECTLY TO THE SIDE (FLANGE) OF THE EAVE CHANNEL.



SPECIAL EAVE ANGLE

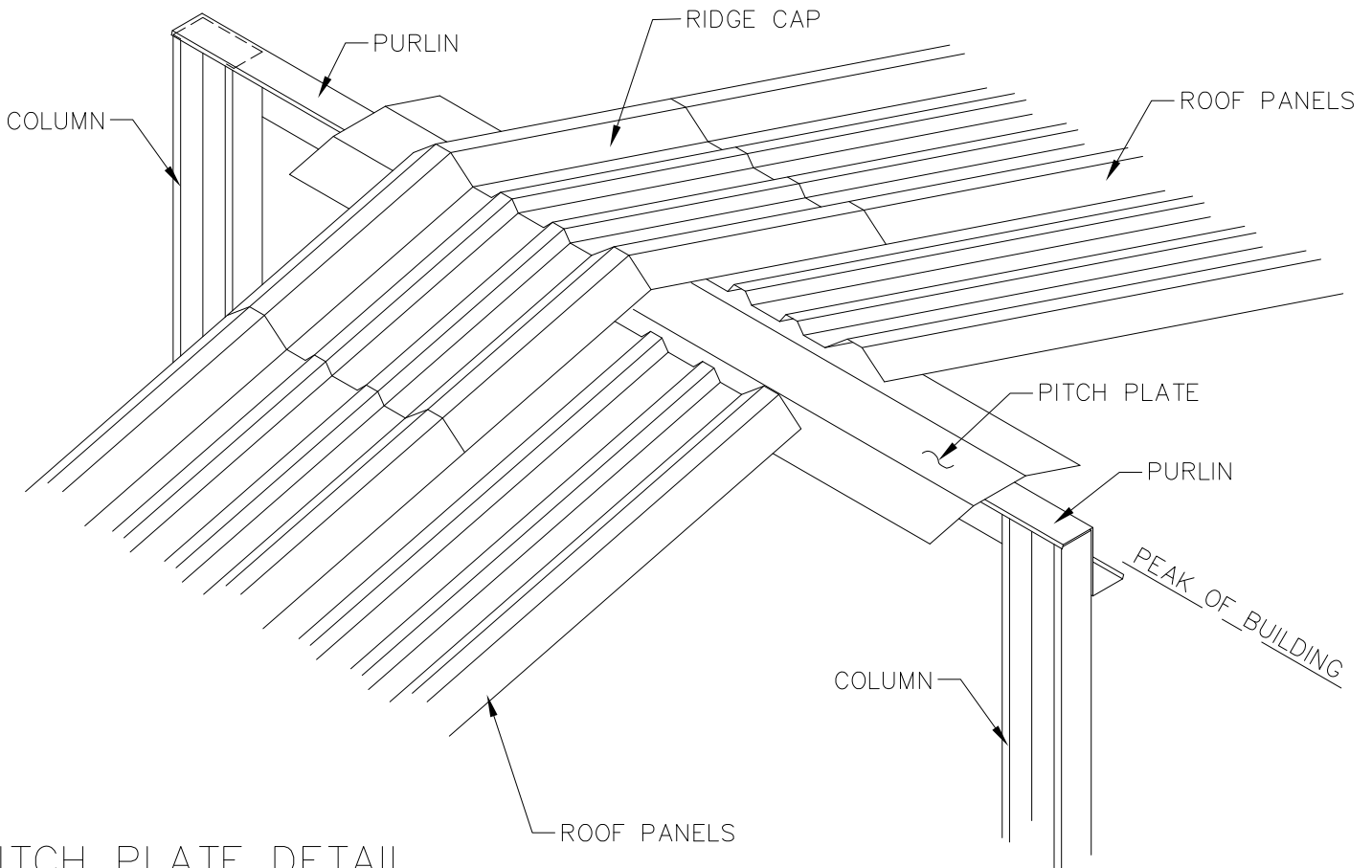
ERECTION SEQUENCE

- STEP 1 : PURLIN SETS ON TOP OF CEE COLUMN
- STEP 2 : PITCH PLATE SETS ON TOP OF PURLIN
- STEP 3 : ROOF PANELS ATTACH TO PITCH PLATE
- STEP 4 : RIDGE CAP ATTACHES TO ROOF PANELS



NOTE : THE PITCH PLATE IS USED WITH ROOF PITCHES GREATER THAN 1/2:12 WHEN PANELS CAN NOT BE SENT IN FULL LENGTHS TO BE BENT OVER THE RIDGE.

PEAK_OF_BUILDING



PITCH PLATE DETAIL